

MPOWER

EQUI
CONSTRUCTOR
Arrendamos maquinaria y accesorios para construir



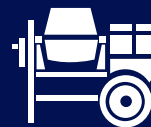
MANUAL DE PARTES

RODILLO DOBLE
HIDRÁULICO
RWYL61B

Telefonos:
01(55)26071637
@Equiconstructor
contacto@equiconstructor.mx

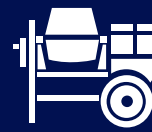


CONSTRUCCIÓN

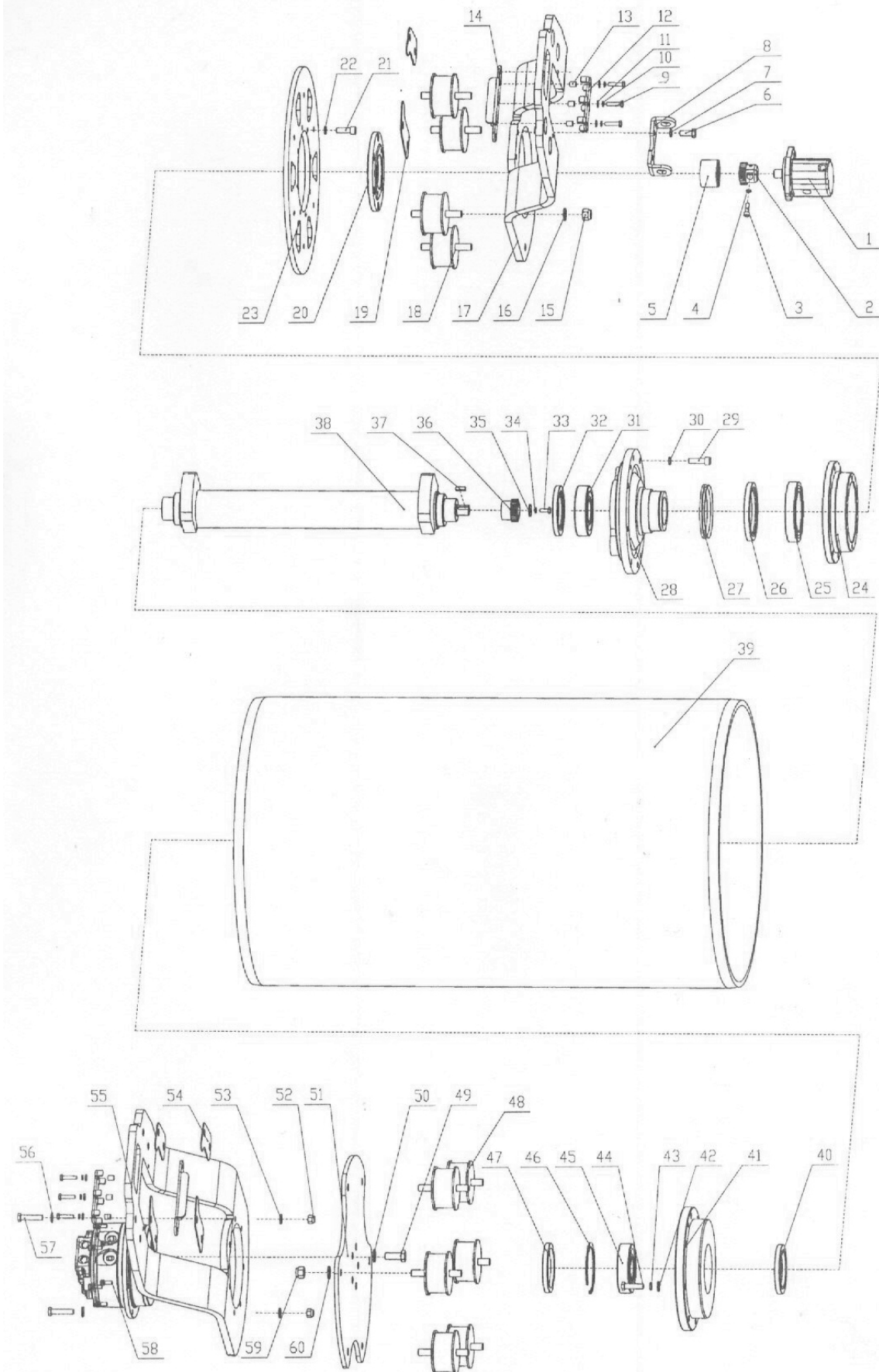


RODILLO DOBLE HIDRÁULICO RWYL61B

| | | |
|------------|-------------------------------------|---------------|
| E-1 | ENSAMBLE RODILLO DELANTERO | PAG 03 |
| E-2 | ENSAMBLE RODILLO TRASERO | PAG 06 |
| E-3 | ENSAMBLE SISTEMA DE DIRECCIÓN | PAG 09 |
| E-4 | ENSAMBLE MOTOR | PAG 11 |
| E-5 | ENSAMBLE CONTROL | PAG 13 |
| E-6 | ENSAMBLE CHASIS DELANTERO A | PAG 16 |
| E-7 | ENSAMBLE CHASIS DELANTERO B | PAG 18 |
| E-8 | ENSAMBLE CHASIS TRASERO | PAG 21 |
| E-9 | ENSAMBLE TANQUE DE AGUA | PAG 24 |



ENSAMBLE RODILLO DELANTERO





ENSAMBLE RODILLO DELANTERO

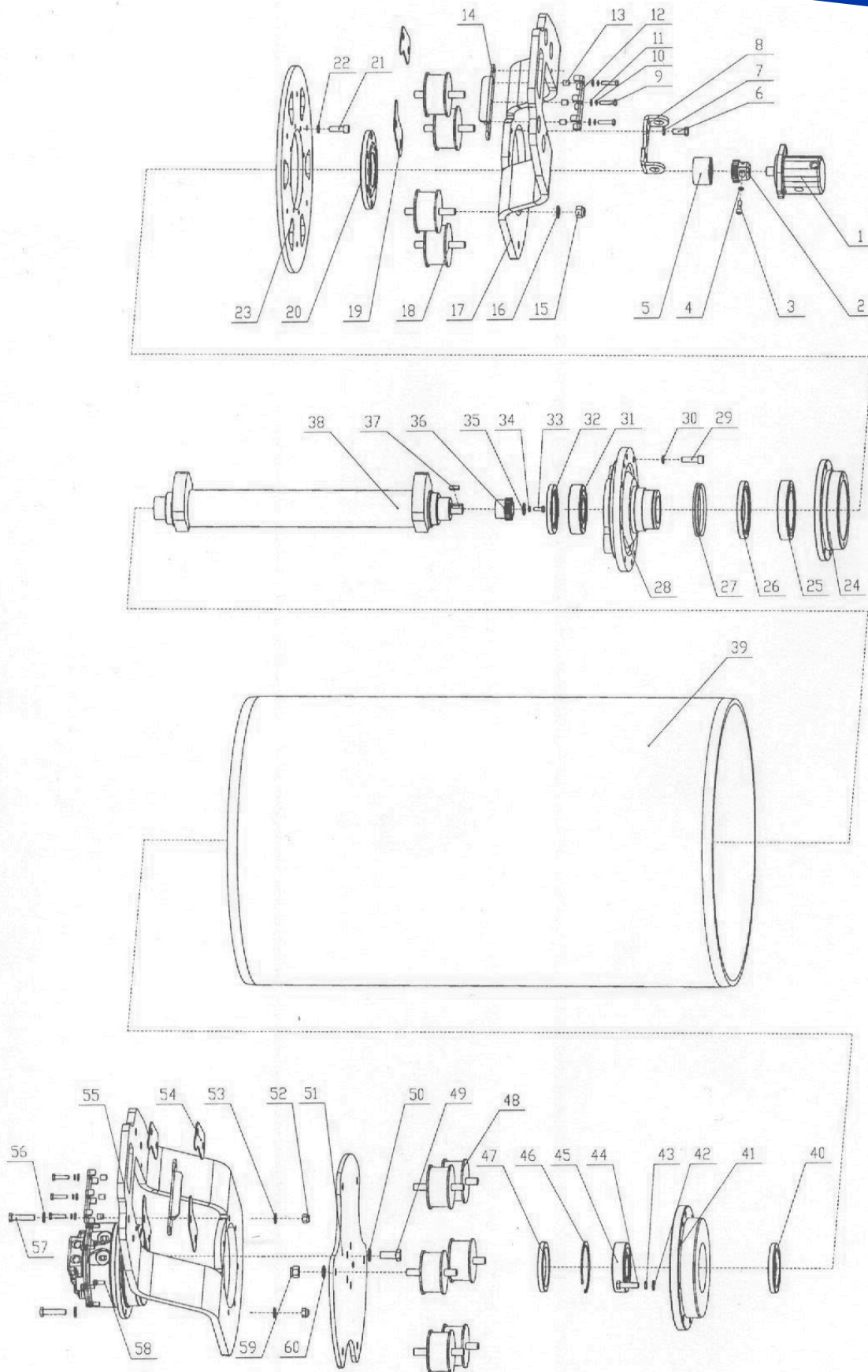
| SEC. | NO. PARTE | DESCRIPCIÓN | DESCRIPTION | CAN |
|------|-------------------|--|-----------------------------------|-----|
| 1 | 2202019A/RWYL61B | Motor vibratorio | Vibratory motor | 1 |
| 2 | 2200314/RWYL61B | Cople del motor vibratorio | Motor coupling | 1 |
| 3 | LSK020503/RWYL61B | Tornillo cabeza hexagonal M8x25 | Inner hexagon bolt | 1 |
| 4 | DZK020104/RWYL61B | Rondana de presión D8 | Spring washer | 1 |
| 5 | 3070418/RWYL61B | Acoplamiento de engrane | Gear coupling | 1 |
| 6 | LSK010701/RWYL61B | Tornillo cabeza hexagonal M12x25 | Hexagon headed bolt | 2 |
| 7 | DZK020106/RWYL61B | Rondana de presión D12 | Spring washer | 2 |
| 8 | 2200434/RWYL61B | Placa soporte rígida | Rigid tube fixed plate | 1 |
| 9 | LSK010505/RWYL61B | Tornillo cabeza hexagonal M8x35 | Hexagon headed bolt | 6 |
| 10 | DZK02104/RWYL61B | Rondana de presión D8 | Spring washer | 6 |
| 11 | DZK010104/RWYL61B | Rondana plana D8 | Plain washer | 6 |
| 12 | 2200433/RWYL61B | Placa sujeción | Pipe clip plate | 2 |
| 13 | 2120148/RWYL61B | Capuchón | Cushion cover | 6 |
| 14 | 2200422A/RWYL61B | Placa sujeción aceite | Oil pipe clip plate | 2 |
| 15 | LMK040107/RWYL61B | Tuerca de seguridad M16 | Lock nut | 4 |
| 16 | 2200312/RWYL61B | Rondana dentada M16 | French washer M16 | 4 |
| 17 | 2200309/RWYL61B | Soporte izquierdo | Left support | 1 |
| 18 | 2120512/RWYL61B | Amortiguador | Shock absorber | 4 |
| 19 | 2200427/RWYL61B | Empaque | Wheel gasket | 6 |
| 20 | 2200306A/RWYL61B | Tapa de vibración | Vibration end cap | 1 |
| 21 | LSK060701/RWYL61B | Tornillo cabeza hexagonal M12x35 | Inner hexagon bolt | 8 |
| 22 | DZK020106/RWYL61B | Rondana de presión D12 | Spring washer | 8 |
| 23 | 2200308/RWYL61B | Disco placa soporte | Bearing pedestal supporting plate | 1 |
| 24 | 2200304/RWYL61B | Soporte de rodamiento vibratorio | Driven bearing pedestal | 1 |
| 25 | NZK011319/RWYL61B | Rodamiento 60119-ZZ | Deep groove ball bearing | 1 |
| 26 | MFK013403/RWYL61B | Sello del aceite 105*140*13 | Framework oil seal | 1 |
| 27 | MFK013601/RWYL61B | Anillo de polvo V-120 A | Dust ring | 1 |
| 28 | 2200303B/RWYL61B | Tapa de tracción | Driven end cap | 1 |
| 29 | LSK060702/RWYL61B | Tornillo cabeza hexagonal M12x40 | Inner hexagon bolt | 8 |
| 30 | DZK020106/RWYL61B | Rondana de presión D12 | Spring washer | 8 |
| 31 | WZK050111/RWYL61B | C3 Rodamiento de rodillos cilíndricos NJ311-C3 | C3 Cylindrical roller bearing | 1 |
| 32 | MFK011704/RWYL61B | Sello del aceite 80*120*12 | Framework oil seal | 1 |



ENSAMBLE RODILLO DELANTERO

| SEC. | NO. PARTE | DESCRIPCIÓN | DESCRIPTION | CANT |
|------|-------------------|--|-------------------------------|------|
| 33 | LSK020502/RWYL61B | Tornillo hexagonal M8x20 | Hexagon bolt | 1 |
| 34 | DZK020104/RWYL61B | Rondana de presión D8 | Spring washer | 1 |
| 35 | 0260818/RWYL61B | Rondana plana 8.5x28 | 8.5x28 plain washer | 1 |
| 36 | 2200313/RWYL61B | Acoplamiento para eje vibratorio | Coupling for vibration shaft | 1 |
| 37 | 0260208/RWYL61B | Cuña C8x24 | C8x24 flat key | 1 |
| 38 | 2200307C/RWYL61B | Ensamble de eje de vibración delantero | Vibrating shaft welding | 1 |
| 39 | 2200301/RWYL61B | Rodillo | Drum welding assembly | 1 |
| 40 | MFK011704/RWYL61B | Sello del aceite 80*120*12 | Framework oil seal | 1 |
| 41 | 220302/RWYL61B | Soporte Rodamiento | Vibrating bearing pedestal | 1 |
| 42 | DZK010106/RWYL61B | Rondana plana D12 | Plain washer | 8 |
| 43 | DZK020106/RWYL61B | Rondana de presión D12 | Spring washer | 8 |
| 44 | LSK050703/RWYL61B | Tornillo hexagonal M12x45 | Hexagon bolt | 8 |
| 45 | WZK050111/RWYL61B | C3 Rodamiento de rodillo cilíndrico NJ311-C3 | C3 Cylindrical roller bearing | 1 |
| 46 | DQK020134/RWYL61B | Anillo de seguridad 120 | Circlip For Hole | 1 |
| 47 | MFK070101/RWYL61B | Tapa de rodamiento 0*120*12 | Bearing end cap | 1 |
| 48 | 2120512/RWYL61B | Amortiguador | Shock absorber | 6 |
| 49 | LSK050902/RWYL61B | Tornillo hexagonal M16X45 | Hexagon bolt | 5 |
| 50 | 2200312/RWYL61B | Rondana dentada | French washer | 5 |
| 51 | 2200305A/RWYL61B | Disco de control | Driver disk | 1 |
| 52 | LMK040106/RWYL61B | Perno de bloqueo M12 | Lock bolt | 7 |
| 53 | 3090511/RWYL61B | Rondana dentada M12 | French washer M12 | 7 |
| 54 | 2200427/RWYL61B | Empaque | Wheel gasket | 6 |
| 55 | 2200310/RWYL61B | Soporte derecho | Right supporting | 1 |
| 56 | 3090511/RWYL61B | Rondana dentada M12 | French washer M12 | 7 |
| 57 | LSK050708/RWYL61B | Tornillo hexagonal M12X55 | Hexagon bolt | 7 |
| 58 | 2202004/RWYL61B | Motor de transmisión | Driving motor | 1 |
| 59 | LMK040107/RWYL61B | Perno de bloqueo M16 | Lock bolt | 6 |
| 60 | 2200312/RWYL61B | Rondana dentada M16 | French washer M16 | 6 |

ENSAMBLE RODILLO TRASERO





ENSAMBLE RODILLO TRASERO

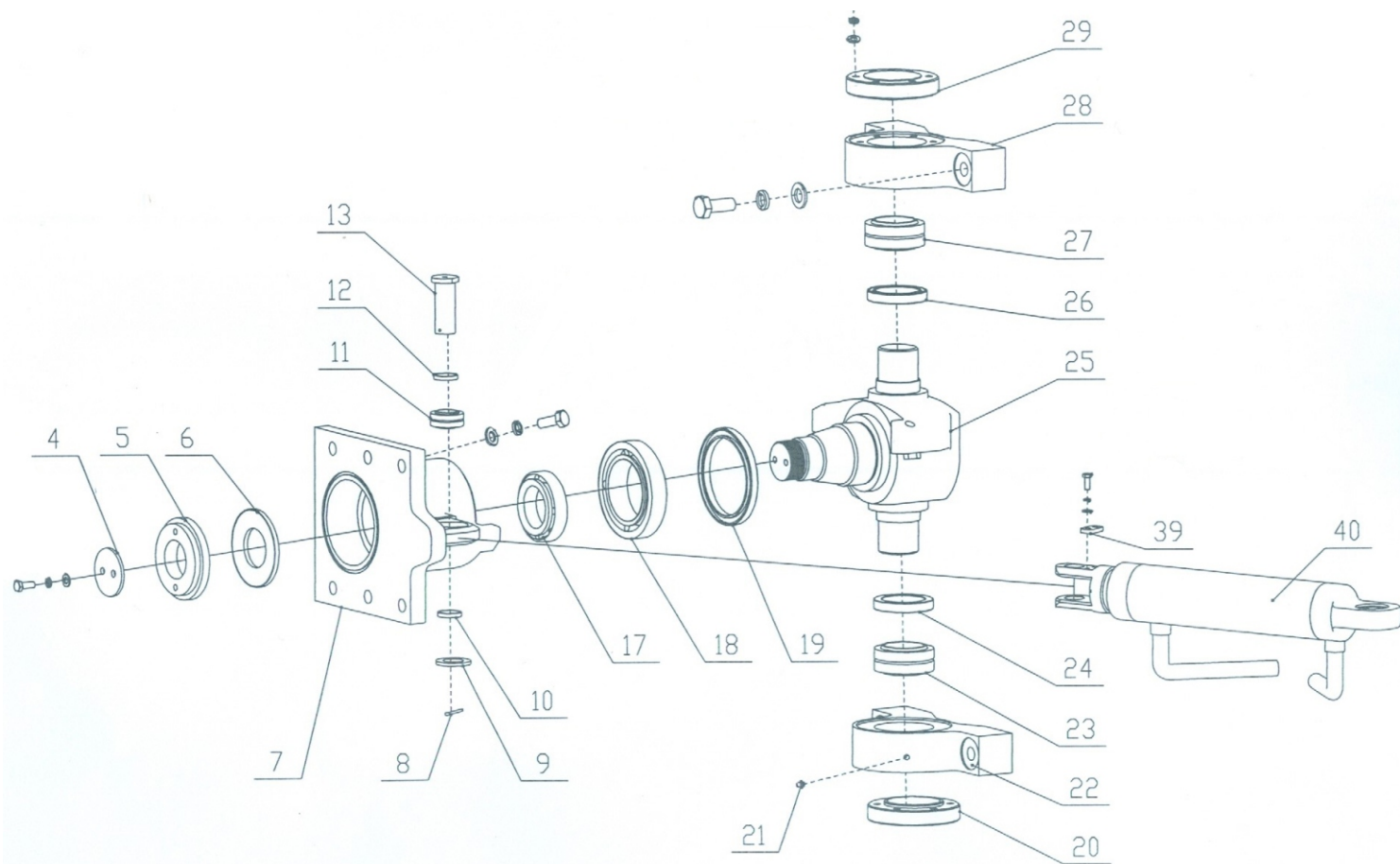
| SEC. | NO. PARTE | DESCRIPCIÓN | DESCRIPTION | CANT |
|------|-------------------|--|-----------------------------------|------|
| 1 | 2202019A/RWYL61B | Motor vibratorio | Vibratory motor | 1 |
| 2 | 2200314/RWYL61B | Cople del motor vibratorio | Motor coupling | 1 |
| 3 | LSK020503/RWYL61B | Tornillo cabeza hexagonal M8X25 | Inner hexagon bolt | 1 |
| 4 | DZK020104/RWYL61B | Rondana de presión D8 | Spring washer | 1 |
| 5 | DZK020104/RWYL61B | Acoplamiento de engrane | Gear coupling | 1 |
| 6 | LSK010701/RWYL61B | Tornillo de cabeza hexagonal M12x25 | Hexagon headed bolt | 2 |
| 7 | DZK020106/RWYL61B | Rondana de presión D12 | Spring washer | 2 |
| 8 | 2200434/RWYL61B | Placa de soporte rígida | Rigid tube fixed plate | 1 |
| 9 | LSK010505/RWYL61B | Tornillo de cabeza hexagonal M8x35 | Hexagon headed bolt | 6 |
| 10 | DZK02104/RWYL61B | Rondana de presión D8 | Spring washer | 6 |
| 11 | DZK010104/RWYL61B | Rondana plana D8 | Plain washer | 6 |
| 12 | 2200433/RWYL61B | Placa sujeción | Pipe clip plate | 2 |
| 13 | 2120148/RWYL61B | Capuchón | Cushion cover | 6 |
| 14 | 2200422A/RWYL61B | Placa sujeción aceite | Oil pipe clip plate | 2 |
| 15 | LMK040107/RWYL61B | Tuerca de seguridad M16 | Lock nut | 4 |
| 16 | 2200312/RWYL61B | Rondana dentada M16 | French washer M16 | 4 |
| 17 | 2200309/RWYL61B | Soporte izquierdo | Left support | 1 |
| 18 | 2120512/RWYL61B | Amortiguador | Shock absorber | 4 |
| 19 | 2200427/RWYL61B | Empaque | Wheel gasket | 6 |
| 20 | 2200306A/RWYL61B | Tapa de vibración | Vibration end cap | 1 |
| 21 | LSK060701/RWYL61B | Tornillo cabeza hexagonal M12x35 | Inner hexagon bolt | 8 |
| 22 | DZK020106/RWYL61B | Rondana de presión D12 | Spring washer | 8 |
| 23 | 2200308/RWYL61B | Disco Placa soporte | Bearing pedestal supporting plate | 1 |
| 24 | 2200304/RWYL61B | Soporte de rodamientos | Driven bearing pedestal | 1 |
| 25 | NZK011319/RWYL61B | Rodamiento 60119-ZZ | Deep groove ball bearing | 1 |
| 26 | MFK013403/RWYL61B | Sello del aceite 105*140*13 | Framework oil seal | 1 |
| 27 | MFK013601/RWYL61B | Anillo de polvo V-120A | Dust ring | 1 |
| 28 | 2200303B/RWYL61B | Tapa de tracción | Driven end cap | 1 |
| 29 | LSK060702/RWYL61B | Tornillo cabeza hexagonal M12x40 | Inner hexagon bolt | 8 |
| 30 | DZK020106/RWYL61B | Rondana de presión D12 | Spring washer | 8 |
| 31 | WZK050111/RWYL61B | C3 Rodamiento de rodillo cilíndrico NJ311-C3 | C3 Cylindrical roller bearing | 1 |
| 32 | MFK011704/RWYL61B | Sello del aceite 80*120*12 | Framework oil seal | 1 |



ENSAMBLE RODILLO TRASERO

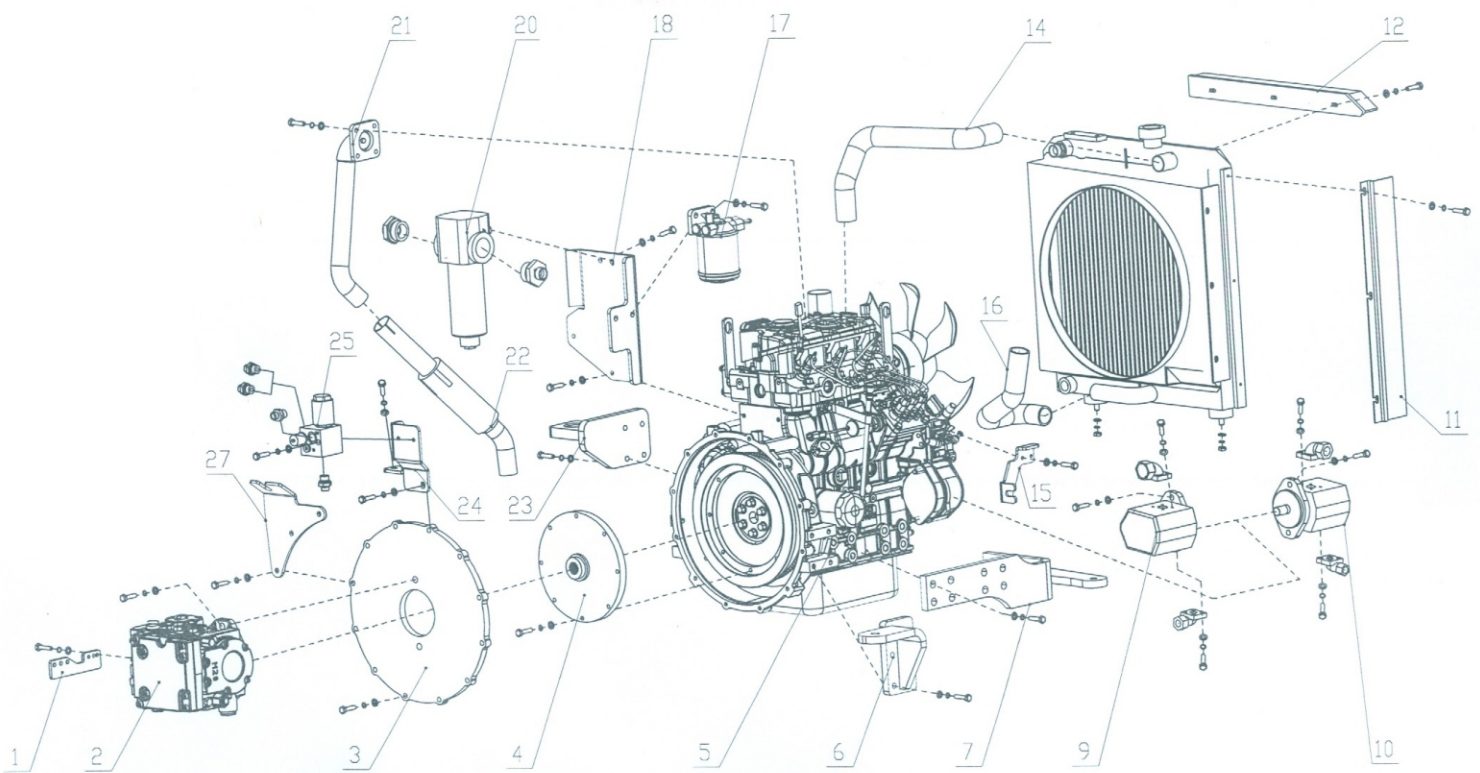
| SEC. | NO. PARTE | DESCRIPCIÓN | DESCRIPTION | CANT |
|------|-------------------|--|--|------|
| 33 | LSK020502/RWYL61B | Tornillo hexagonal M8x20 | Hexagon bolt | 1 |
| 34 | DZK020104/RWYL61B | Rondana de presión D8 | Spring washer | 1 |
| 35 | 0260818/RWYL61B | Rondana plana 8.5x28 | 8.5x28 plain washer | 1 |
| 36 | 2200313/RWYL61B | Acoplamiento para eje | Coupling for vibration shaft | 1 |
| 37 | 0260208/RWYL61B | Cuña C8x24 | C8x24 flat key | 1 |
| 38 | 2200311A/RWYL61B | Ensamble del eje de vibración trasero. | Rear drum vibrating shaft welding assembly | 1 |
| 39 | 2200301/RWYL61B | Rodillo | Drum welding assembly | 1 |
| 40 | MFK011704/RWYL61B | Sello del aceite 80*120*12 | Framework oil seal | 1 |
| 41 | 220302/RWYL61B | Soporte rodamiento | Vibrating bearing pedestal | 1 |
| 42 | DZK010106/RWYL61B | Rondana plana D12 | Plain washer | 8 |
| 43 | DZK020106/RWYL61B | Rondana de presión D12 | Spring washer | 8 |
| 44 | LSK050703/RWYL61B | Tornillo hexagonal M12x45 | Hexagon bolt | 8 |
| 45 | WZK050111/RWYL61B | C3 Rodamiento de rodillo cilíndrico NJ311-C3 | C3 Cylindrical roller bearing | 1 |
| 46 | DQK020134/RWYL61B | Anillo de seguridad 120 | Circlip For Hole | 1 |
| 47 | MFK070101/RWYL61B | Tapa de rodamientos 0*120*12 | Bearing end cap | 1 |
| 48 | 2120512/RWYL61B | Amortiguador | Shock absorber | 6 |
| 49 | LSK050902/RWYL61B | Tornillo hexagonal M16x45 | Hexagon bolt | 5 |
| 50 | 2200312/RWYL61B | Rondana dentada | French washer | 5 |
| 51 | 2200305A/RWYL61B | Disco de control | Driver disk | 1 |
| 52 | LMK040106/RWYL61B | Perno de bloqueo M12 | Lock bolt | 7 |
| 53 | 3090511/RWYL61B | Rondana dentada M12 | French washer M12 | 7 |
| 54 | 2200427/RWYL61B | Empaque | Wheel gasket | 6 |
| 55 | 2200310/RWYL61B | Soporte derecho | Right supporting | 1 |
| 56 | 3090511/RWYL61B | Rondana dentada M12 | French washer M12 | 7 |
| 57 | LSK050708/RWYL61B | Tornillo hexagonal M12x55 | Hexagon bolt | 7 |
| 58 | 2202004/RWYL61B | Motor de transmisión | Driving motor | 1 |
| 59 | LMK040107/RWYL61B | Perno de bloqueo M16 | Lock bolt | 6 |
| 60 | 2200312/RWYL61B | Rondana dentada M16 | French washer M16 | 6 |

ENSAMBLE SISTEMA DE DIRECCIÓN




ENSAMBLE SISTEMA DE DIRECCIÓN

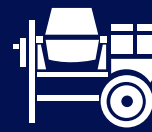
| SEC. | NO. PARTE | DESCRIPCIÓN | DESCRIPTION | CANT |
|------|-------------------|------------------------------------|---------------------------|------|
| 4 | 2200202/RWYL61B | Plato de bloqueo | Locking plate | 1 |
| 5 | 2200207/RWYL61B | Tuerca de bloqueo de dirección | Steering locking nut | 1 |
| 6 | 2202016/RWYL61B | Disco de presión | Disc spring | 1 |
| 7 | 2202204/RWYL61B | Soporte rodamiento de la dirección | Steering bearing pedestal | 1 |
| 8 | XZK020305/RWYL61B | Chaveta | Cotter | 1 |
| 9 | 2200211/RWYL61B | Rondana de bisagra | Hinge pin washer | 1 |
| 10 | 2200208/RWYL61B | Anillo soporte de la dirección | Steering supporting ring | 1 |
| 11 | NZK110425/RWYL61B | Balero | Knuckle bearing | 1 |
| 12 | 2200208/RWYL61B | Anillo soporte de la dirección | Steering supporting ring | 1 |
| 13 | 2200206/RWYL61B | Perno de la bisagra de dirección | Steering hinge pin | 1 |
| 17 | NZK070195/RWYL61B | Rodamiento de rodillos cónicos | Tapered roller bearing | 1 |
| 18 | NZK070196/RWYL61B | Rodamiento de rodillos conicos | Tapered roller bearing | 1 |
| 19 | MFK013304/RWYL61B | Sello del aceite | Framework oil seal | 1 |
| 20 | 2200205/RWYL61B | Tapa de rodamiento de la dirección | Steering bearing end cap | 1 |
| 21 | 00 40302/RWYL61B | Grasera | Oil cup | 1 |
| 22 | 2200203B/RWYL61B | Placa fija trasera de la dirección | Steering back fixed plate | 1 |
| 23 | NZK110350/RWYL61B | Balero de dirección | Knuckle bearing | 1 |
| 24 | MFK011023/RWYL61B | Sello del aceite | Framework oil seal | 1 |
| 25 | 2200201/RWYL61B | Soporte de la dirección | Steering supports | 1 |
| 26 | MFK011023/RWYL61B | Sello del aceite | Framework oil seal | 1 |
| 27 | NZK110350/RWYL61B | Balero de dirección | Knuckle bearing | 1 |
| 28 | 2200203B/RWYL61B | Placa fija trasera de la dirección | Steering back fixed plate | 1 |
| 29 | 2200205/RWYL61B | Tapa de rodamiento de dirección | Steering bearing end cap | 1 |
| 39 | 2200210/RWYL61B | Placa tope dirección | Stop steering plate | 1 |
| 40 | 2200209/RWYL61B | Pistón Hidráulico | Steering oil cylinder | 1 |



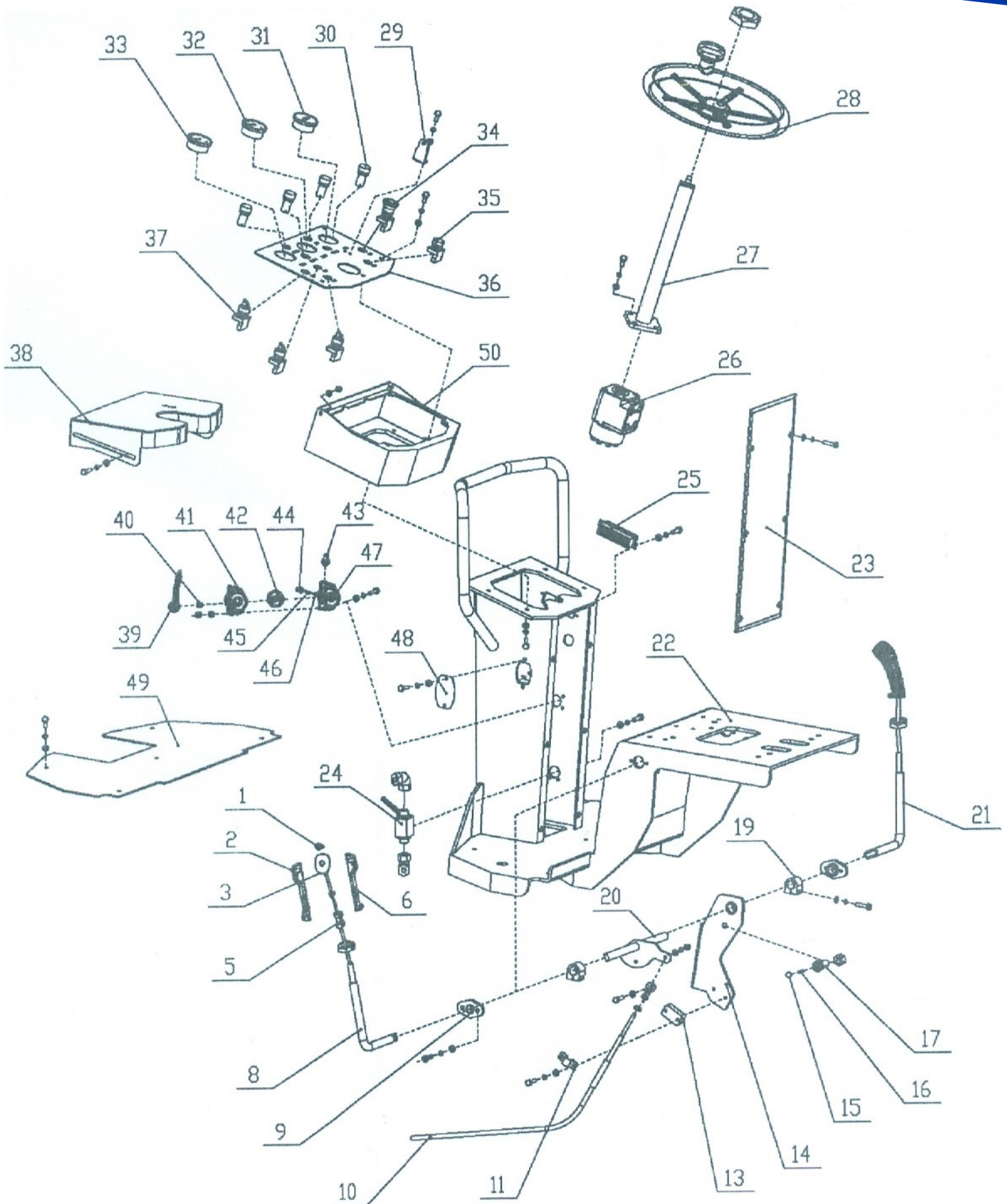


ENSAMBLE MOTOR

| SEC. | NO. PARTE | DESCRIPCIÓN | DESCRIPTION | CANT |
|------|------------------|--------------------------------|-------------------------------|------|
| 1 | 2200209A/RWYL61B | Extensión varilla para bomba | Extension rod for pump | 1 |
| 2 | 2202003/RWYL61B | Bomba hidráulica | Plunger pump | 1 |
| 3 | 2200119/RWYL61B | Disco volante | Flywheel plate | 1 |
| 4 | 2202005/RWYL61B | Acoplamiento | Coupling | 1 |
| 5 | 2202038/RWYL61B | Motor Yanmar | Engine | 1 |
| 6 | 2200117/RWYL61B | Soporte izquierdo del motor | Left front support of engine | 1 |
| 7 | 2200118/RWYL61B | Soporte trasero del motor | Rear support of engine | 1 |
| 9 | 2202020/RWYL61B | Bomba vibratoria (engranaje) | Vibrating (gear) pump | 1 |
| 10 | 2202021/RWYL61B | Bomba de dirección (engranaje) | Steering (gear) pump | 1 |
| 11 | 2200154/RWYL61B | Protección Lateral Radiador | Side brush | 1 |
| 12 | 2200150/RWYL61B | Protección Superior Radiador | Brush | 1 |
| 14 | 2200139/RWYL61B | Tubo Entrada del radiador | Radiator inlet | 1 |
| 15 | 2200138/RWYL61B | Soporte cable del acelerador | Throttle cable comp | 1 |
| 16 | 2200140/RWYL61B | Tubo Salida del radiador | Radiator outlet | 1 |
| 17 | 2202030/RWYL61B | Filtro | Fuel coarse filter | 1 |
| 18 | 2200104/RWYL61B | Soporte filtro | Return oil filter support | 1 |
| 20 | 2202006/RWYL61B | Filtro hidráulico | Hydraulic filter | 1 |
| 21 | 2200143/RWYL61B | Tubo superior del escape | Upper smoke vent | 1 |
| 22 | 2200114/RWYL61B | Tubo inferior del escape | Down smoke vent | 1 |
| 23 | 2200113/RWYL61B | Soporte derecho del motor | Right front support of engine | 1 |
| 24 | 2200117/RWYL61B | Soporte válvula de freno | Brake valve support | 1 |
| 25 | 2202018/RWYL61B | Válvula de frenado | Brake valves | 1 |
| 27 | 2200114/RWYL61B | Soporte volante. | Steering support | 1 |



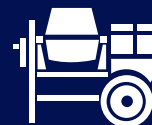
ENSAMBLE CONTROL





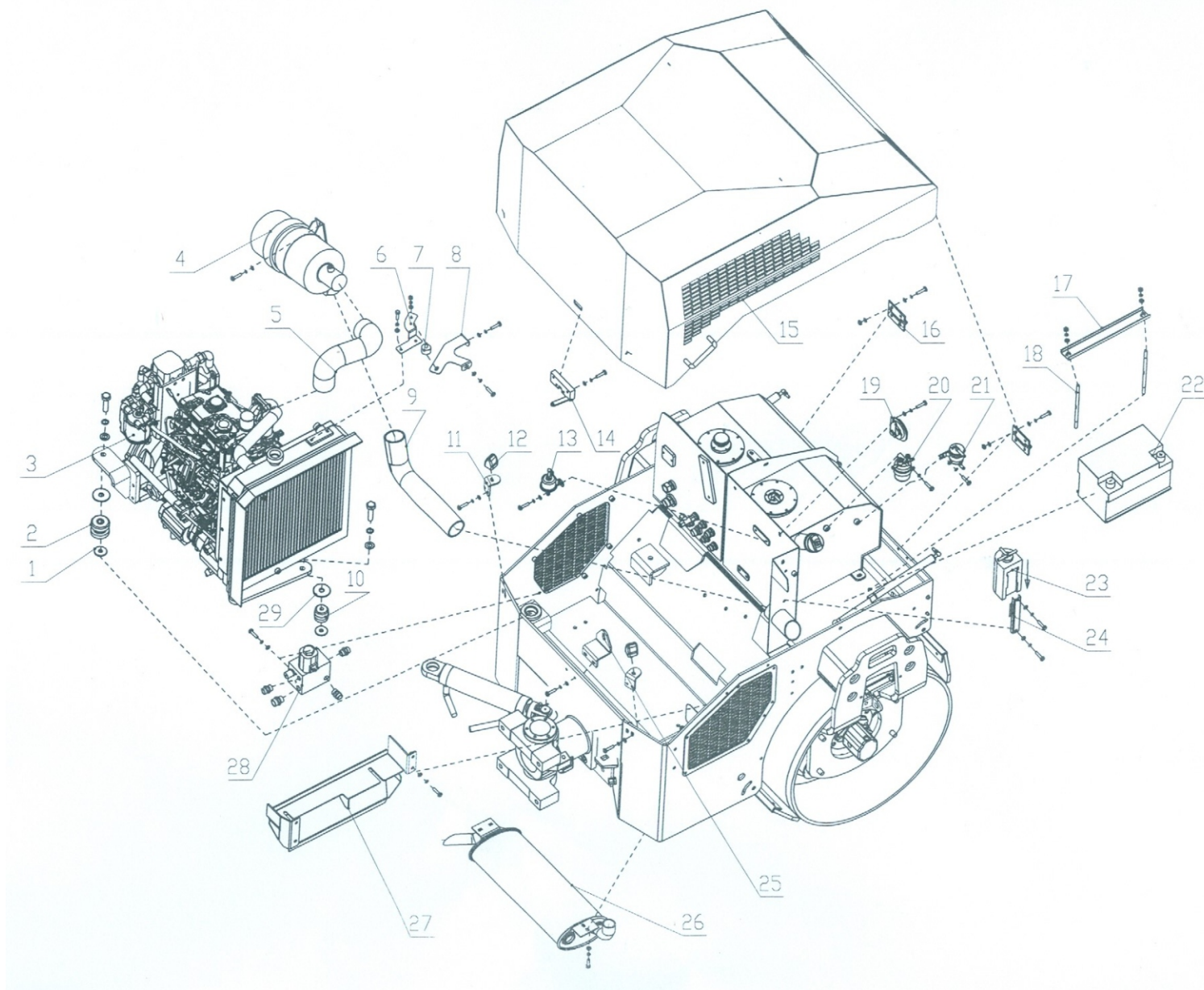
ENSAMBLE CONTROL

| SEC. | NO. PARTE | DESCRIPCIÓN | DESCRIPTION | CANT |
|------|-------------------|---|--------------------------------|------|
| 1 | DNA090101/RWYL61B | Botón de bloqueo | Self-lock button | 2 |
| 2 | 2101061/RWYL61B | Puño plástico-izquierda | Left handle | 2 |
| 3 | 2120250/RWYL61B | Mando- Control | Panel | 2 |
| 5 | 2100438/RWYL61B | Buje de la palanca | Handle thread bushing | 2 |
| 6 | 2102062/RWYL61B | Puño plástico-derecho | Right handle | 2 |
| 8 | 2200411/RWYL61B | Ensamble palanca izquierda | Left handle assembly | 1 |
| 9 | 2200412/RWYL61B | Soporte palanca | Handle rotator cuff | 2 |
| 10 | 2200156B/RWYL61B | Cable control dirección | Steering change wire | 1 |
| 11 | 3070206/RWYL61B | Abrazadera cable control | Reversing wire fixed frame | 1 |
| 13 | 2200426/RWYL61B | Placa del cable | Reversing wire base plate | 1 |
| 14 | 2200408/RWYL61B | Soporte del cambio de dirección | Steering change fixed plate | 1 |
| 15 | 3070510/RWYL61B | Balín SΦ10 | SΦ10 steel ball | 1 |
| 16 | 3070208/RWYL61B | Resorte de perno | Limited bolt spring | 1 |
| 17 | 3070222/RWYL61B | Perno piloto de dirección | Direction pilot pin | 1 |
| 19 | 2200413/RWYL61B | Juego de conexiones | Handle connecting sets | 2 |
| 20 | 2200414/RWYL61B | Unión de palancas | Reversing lever assembly | 1 |
| 21 | 2200410/RWYL61B | Ensamble palanca izquierda | Right handle bar assembly | 1 |
| 22 | 2200402/RWYL61B | Plataforma soporte del operador y dirección | Upper support assembly | 1 |
| 23 | 2200406A/RWYL61B | Tapa columna dirección | Steering gear box fender plate | 1 |
| 24 | 2200504/RWYL61B | Válvula de alta presión | High pressure valve | 1 |
| 25 | 2121032/RWYL61B | Portafusibles | Fuse holder | 1 |
| 26 | 2202022/RWYL61B | Unidad de dirección | Steering gear | 1 |
| 27 | 2121018/RWYL61B | Columna de dirección | Steering column | 1 |
| 28 | 2121026/RWYL61B | Volante | Steering wheel | 1 |
| 29 | 2120220/RWYL61B | Cerradura | Lock hole | 1 |
| 30 | DBJ030305/RWYL61B | Luz indicadora | Indicator light | 4 |
| 31 | 2200512/RWYL61B | Nivel de aceite | Oil level gage | 1 |
| 32 | DDB050104/RWYL61B | Temporizador | Timer | 1 |

**ENSAMBLE CONTROL**

| SEC. | NO. PARTE | DESCRIPCIÓN | DESCRIPTION | CANT |
|------|-------------------|-----------------------------------|------------------------------------|------|
| 33 | DDB110403/RWYL61B | Indicador de voltaje | Voltage meter | 1 |
| 34 | DAN01014/RWYL61B | Botón de emergencia | Emergency button | 1 |
| 35 | DAN010213/RWYL61B | Botón de paro | Button switch | 1 |
| 36 | 2200419B/RWYL61B | Panel de control | Panel | 1 |
| 37 | DAN031201/RWYL61B | Interruptor de giro | Rotary switch | 3 |
| 38 | 2200421A/RWYL61B | Cubierta impermeable | Rainproof cover | 1 |
| 39 | 261001/RWYL61B | Manija control acelerador | Throttle control handle | 1 |
| 40 | 261010/RWYL61B | Adaptador del acelerador | Adapter sleeve | 1 |
| 41 | 261002/RWYL61B | Capuchón izquierdo | Left hole shell | 1 |
| 42 | 261004/RWYL61B | Engrane de control del acelerador | Control gear | 1 |
| 43 | 261007/RWYL61B | Casquillo trasero | Rack sleeve | 1 |
| 44 | 0261006A/RWYL61B | Casquillo superior | Top sleeve | 1 |
| 45 | 261009/RWYL61B | Resorte compresión | Cylidrical coil compression spring | 1 |
| 46 | 260909/RWYL61B | Balín | Steel ball | 1 |
| 47 | 261003/RWYL61B | Protector derecho | Right hole shell | 1 |
| 48 | 2200403/RWYL61B | Panel Relay doble | Double relay panel | 1 |
| 49 | 2200405A/RWYL61B | Plataforma | Pedal | 1 |
| 50 | 2200404/RWYL61B | Caja del Panel | Panel assembly | 1 |

ENSAMBLE CHASIS DELANTERO A

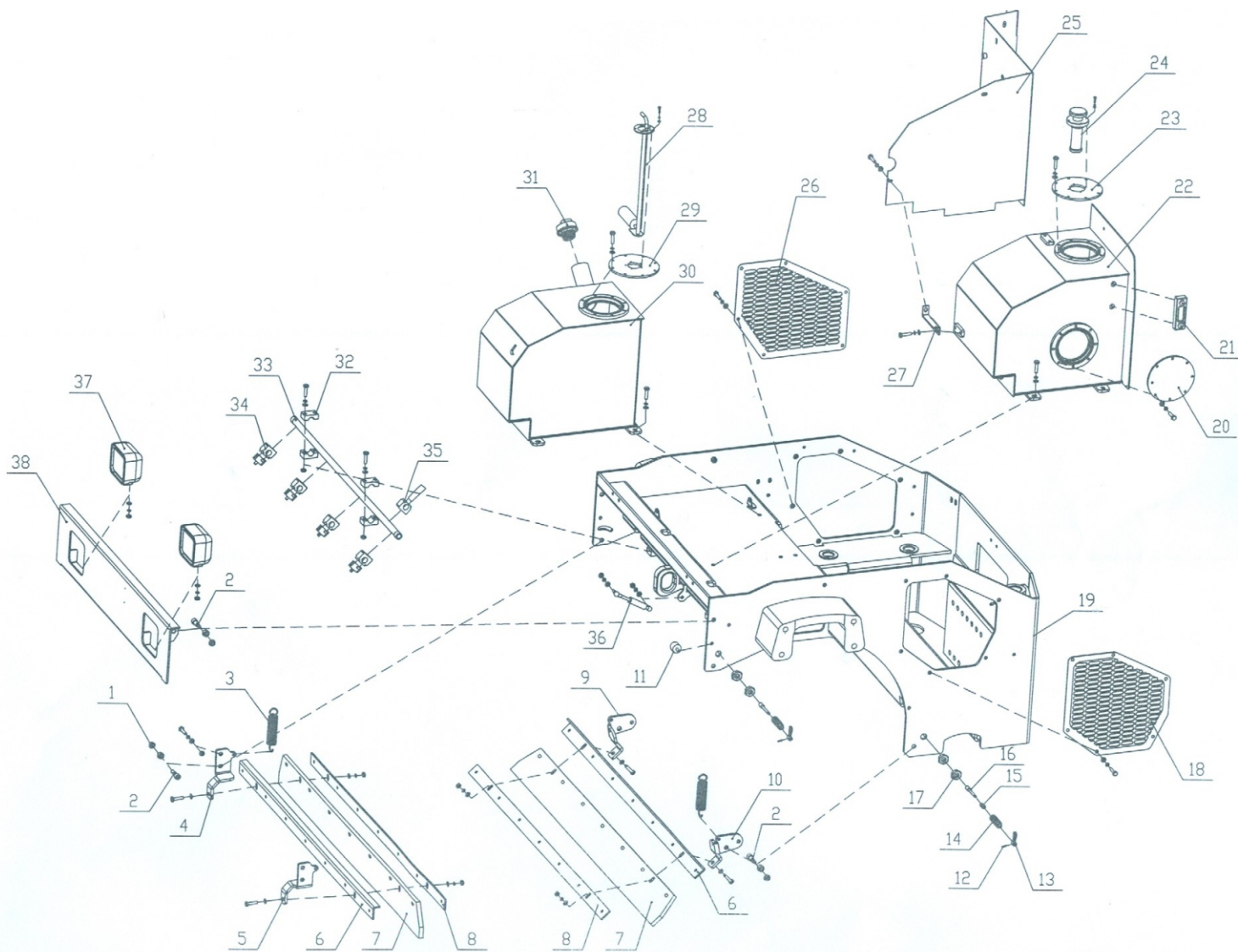



ENSAMBLE CHASIS DELANTERO A

| SEC. | NO. PARTE | DESCRIPCIÓN | DESCRIPTION | CANT |
|------|-----------------|-----------------------------------|--------------------------------|------|
| 1 | 2200126/RWYL61B | Rondana chica amortiguador | Small shock absorber washer | 4 |
| 2 | 2202009/RWYL61B | Amortiguador | Shock absorber | 2 |
| 3 | 2202038/RWYL61B | Motor Yanmar | Engine assembly | 1 |
| 4 | 2202039/RWYL61B | Filtro de aire del motor | Engine air filter | 1 |
| 5 | 2200116/RWYL61B | Tubo de entrada del aire | Air inlet pipe | 1 |
| 6 | 2200141/RWYL61B | Soporte superior del amortiguador | Upper shock absorber frame | 1 |
| 7 | 2120133/RWYL61B | Goma del radiador | Cooler rubber | 1 |
| 8 | 2200112/RWYL61B | Placa fija B | Board fixed plate B | 1 |
| 9 | 2200115/RWYL61B | Tubo succión de aire | Air suction pipe | 1 |
| 10 | 2202008/RWYL61B | Amortiguador | Shock absorber | 2 |
| 11 | 2200120/RWYL61B | Base de la goma de la cubierta | Cover absorber frame | 2 |
| 12 | 2120136/RWYL61B | Goma de la cubierta | Cover rubber | 2 |
| 13 | 2202028/RWYL61B | Bomba electrónica | Electronic pump | 1 |
| 14 | 2202010/RWYL61B | Seguro de la cubierta | Cover lock | 1 |
| 15 | 2200107/RWYL61B | Cubierta frontal Cofre | Front cover | 1 |
| 16 | 2150112/RWYL61B | Bisagra | Hinge | 2 |
| 17 | 2200152/RWYL61B | Placa seguro batería | Battery plate | 1 |
| 18 | 2200153/RWYL61B | Barra de la batería | Battery bar | 2 |
| 19 | 2121014/RWYL61B | Claxon | Horn | 1 |
| 20 | 2202029/RWYL61B | Filtro separador de agua y aceite | Oil water separator | 1 |
| 21 | 2202030/RWYL61B | Filtro de combustible en línea | Fuel coarse filter | 1 |
| 22 | 2202002/RWYL61B | Batería | Battery | 1 |
| 23 | 2121020/RWYL61B | Tanque Indicador | Assistant tank | 1 |
| 24 | 2120139/RWYL61B | Soporte del tanque | Fixed plate for assistant tank | 1 |
| 25 | 2200146/RWYL61B | Placa fija para defensa. | Bump bolt fixed plate | 1 |
| 26 | 2200142/RWYL61B | Mofle | Muffler | 1 |
| 27 | 2200137/RWYL61B | Cubierta del radiador | Radiator frame | 1 |
| 28 | 2202017/RWYL61B | Válvulas vibratorias | Vibrating valves | 1 |
| 29 | 2200127/RWYL61B | Rondana grande amortiguador | Big shock absorber washer | 4 |

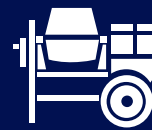


ENSAMBLE CHASIS DELANTERO B



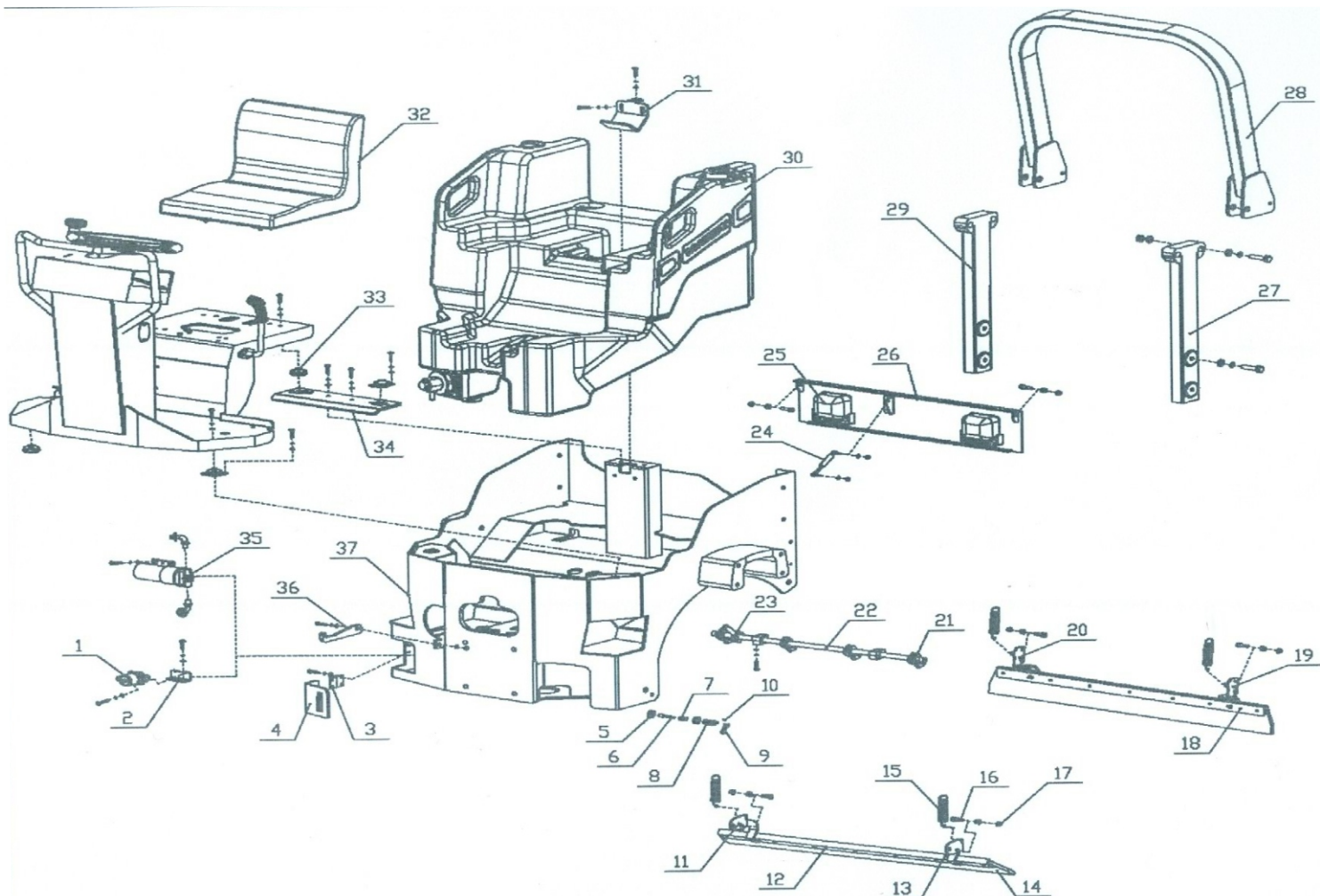

ENSAMBLE CHASIS DELANTERO B

| SEC. | NO. PARTE | DESCRIPCIÓN | DESCRIPTION | CANT |
|------|-------------------|---|---|------|
| 1 | 2202011/RWYL61B | Tapa de nylon | Nylon bush | 6 |
| 2 | 2200136/RWYL61B | Bisagra del raspador | Scraping plate hinge | 3 |
| 3 | 2120522/RWYL61B | Resorte tensión | Tension spring | 4 |
| 4 | 2200129/RWYL61B | Soporte derecho del raspador delantero, rodillo delantero | Front drum front scraper plate right mounting plate | 1 |
| 5 | 2200130A/RWYL61B | Soporte izquierdo del raspador delantero, rodillo delantero | Front drum front scraper plate left mounting plate | 1 |
| 6 | 2200133/RWYL61B | Barra de sujeción del raspador | Fixed plate | 2 |
| 7 | 2200135/RWYL61B | Raspador | Scraper | 2 |
| 8 | 2200134/RWYL61B | Barra plana del raspador | Scraper pinch plate | 2 |
| 9 | 2200131A/RWYL61B | Soporte derecho del raspador trasero, rodillo delantero | Front drum rear scraper plate right mounting plate | 1 |
| 10 | 2200132A/RWYL61B | Soporte izquierdo del raspador trasero, rodillo delantero | Front drum rear scraper plate left mounting plate | 1 |
| 11 | 2120136/RWYL61B | Goma de la cubierta | Cover rubber | 1 |
| 12 | XZK010601/RWYL61B | Perno elástico | Elastic cylindrical pin | 1 |
| 13 | 2200432A/RWYL61B | Palanca elevación | Lifting handle assembly | 1 |
| 14 | 2200423/RWYL61B | Base Perno tope | Stop pin pedestal | 1 |
| 15 | 2200445/RWYL61B | Resorte de reinicio | Reset spring | 1 |
| 16 | 2200424A/RWYL61B | Perno tope | Stop pin | 1 |
| 17 | LMK020202/RWYL61B | Tuerca hexagonal delgada | Hexagon thin nut | 2 |
| 18 | 2200148/RWYL61B | Parrilla derecha | Left fender plate | 1 |
| 19 | 2200101/RWYL61B | Chasis delantero | Front frame | 1 |
| 20 | 4010105/RWYL61B | Disco de drenado del sistema hidráulico. | Cleaning hole plate | 1 |
| 21 | 2121033/RWYL61B | Medidor del nivel de aceite hidráulico | Level gauge | 1 |
| 22 | 2200102/RWYL61B | Tanque hidráulico | Hydraulic tank | 1 |
| 23 | 2200103/RWYL61B | Base del filtro hidráulico | Hydraulic filter seat | 1 |
| 24 | 2121010/RWYL61B | Filtro hidráulico | Hydraulic filter | 1 |
| 25 | 2200111/RWYL61B | Placa Separadora | | |

**ENSAMBLE CHASIS DELANTERO B**

| SEC. | NO. PARTE | DESCRIPCIÓN | DESCRIPTION | CANT |
|------|------------------|--|---------------------------|------|
| 26 | 2200149/RWYL61B | Parrilla izquierda | Right fender plate | |
| 27 | 2200158/RWYL61B | Separador | Separator fixed plate | 1 |
| 28 | 2202007/RWYL61B | Sensor del nivel de combustible | Oil level sensor | 1 |
| 29 | 2200108/RWYL61B | Base del sensor del nivel de combustible | Fuel level indicator seat | 1 |
| 30 | 2200106/RWYL61B | Tanque de combustible | Fuel tank | 1 |
| 31 | 1672254A/RWYL61B | Tapón tanque de combustible | Fuel tank cap | 1 |
| 32 | 2120158/RWYL61B | Abrazadera del tubo de los aspersores | Pipe clamp | 4 |
| 33 | 2200425/RWYL61B | Tubo aspersor | Spray pipe | 1 |
| 34 | 2121016/RWYL61B | Aspersores | Sprayer | 4 |
| 35 | 2121017/RWYL61B | Adaptador | Adapter | 1 |
| 36 | 2202014/RWYL61B | Pistón | Gas spring | 1 |
| 37 | 2121019/RWYL61B | Luces | Working lamp | 2 |
| 38 | 2200128/RWYL61B | Defensa | Front guard | 1 |

ENSAMBLE CHASIS TRASERO





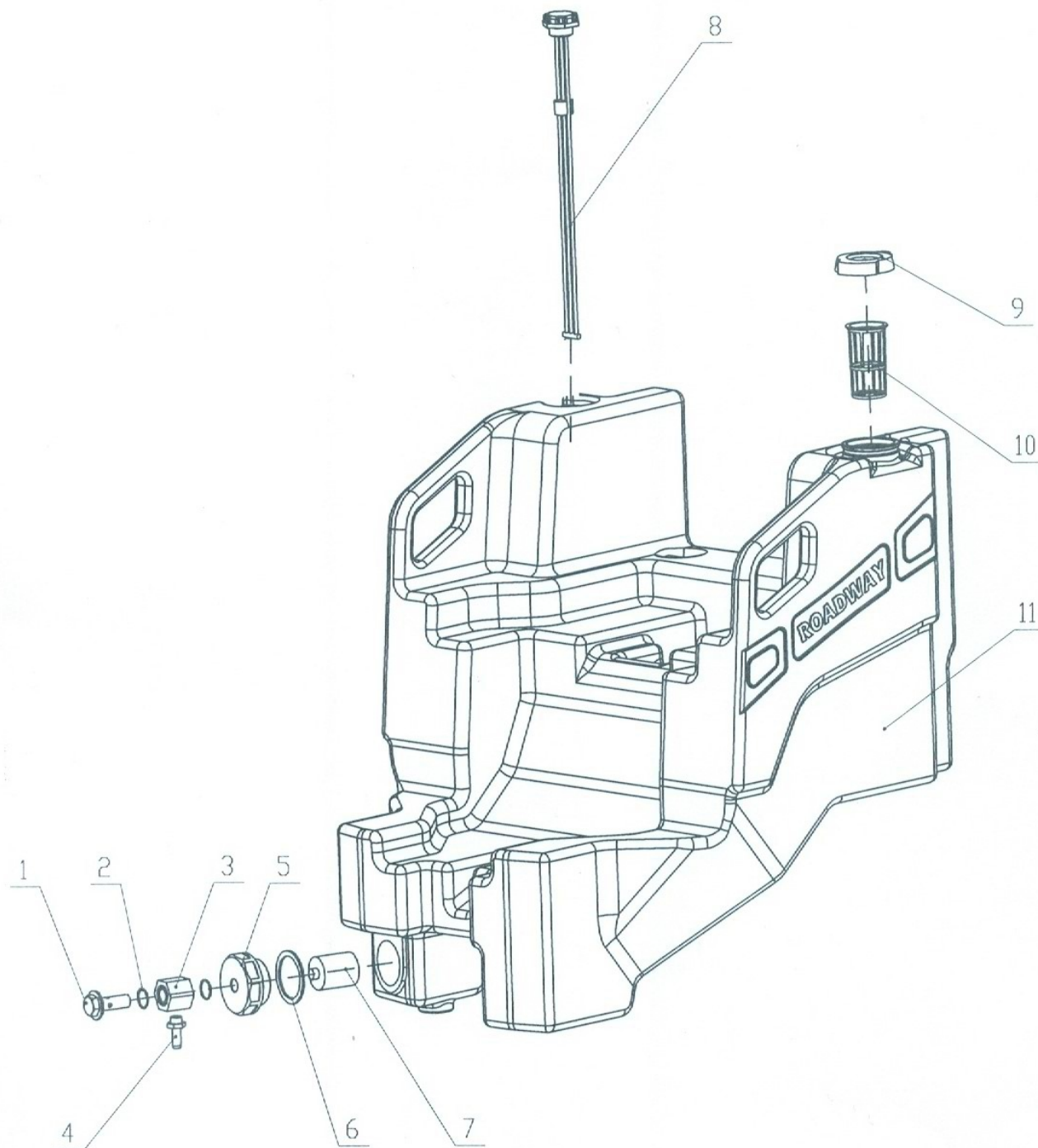
ENSAMBLE CHASIS TRASERO

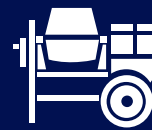
| SEC. | NO. PARTE | DESCRIPCIÓN | DESCRIPTION | CANT |
|------|-------------------|--|--------------------------------------|------|
| 1 | 2121029/RWYL61B | Válvula electromagnética | Electromagnetic valve | 1 |
| 2 | 2200418/RWYL61B | Soporte válvula electromagnética | Dead plate for electromagnetic valve | 1 |
| 3 | 2200509/RWYL61B | Bisagra | Hinge | 1 |
| 4 | 2200420A/RWYL61B | Compuerta bomba agua aspersion | Spray pump cover plate | 1 |
| 5 | LMK020202/RWYL61B | Tuerca hexagonal | Hexagon thin nut | 4 |
| 6 | 2200424B/RWYL61B | Perno tope | Stop pin | 2 |
| 7 | 2200445/RWYL61B | Resorte de reinicio | Reset spring | 4 |
| 8 | 2200423A/RWYL61B | Base perno tope | Stop pin seat | 4 |
| 9 | 2200432A/RWYL61B | Palanca de elevación | Lifting handle assembly | 4 |
| 10 | XZK020306/RWYL61B | Perno | Cotter pin | 2 |
| 11 | 2200131/RWYL61B | Soporte derecho del raspador delantero, rodillo trasero. | Rear scraper right connecting plate | 1 |
| 12 | 2200133/RWYL61B | Barra de sujeción del raspador | Scraper fixed plate | 2 |
| 13 | 2200132/RWYL61B | Soporte izquierdo del raspador delantero, rodillo trasero. | Rear scraper left connecting plate | 1 |
| 14 | 2200135/RWYL61B | Raspador | Scraper | 2 |
| 15 | 2120522/RWYL61B | Resorte tensión | Tension spring | 4 |
| 16 | 2200136/RWYL61B | Bisagra del raspador | Scraper hinge | 6 |
| 17 | 2202011/RWYL61B | Tapa de nylon | Nylon bush | 6 |
| 18 | 2200134/RWYL61B | Barra fija del raspador | Scraper pinch plate | 2 |
| 19 | 2200129/RWYL61B | Placa de soporte izquierda del raspador trasero del rodillo trasero. | Front scraper right connecting plate | 1 |
| 20 | 2200130/RWYL61B | Placa de montaje derecha del raspador trasero del rodillo trasero. | Front scraper left connecting plate | 1 |
| 21 | 2121016/RWYL61B | Aspersores | Spray | 4 |
| 22 | 2200425/RWYL61B | Tubo aspersor | Spray pipe | 1 |
| 23 | 2121017/RWYL61B | Adaptador | Adapter | 1 |
| 24 | 2202014/RWYL61B | Pistón | Gas spring | 1 |
| 25 | 2121019/RWYL61B | Luces | Working lamp | 2 |

**ENSAMBLE CHASIS TRASERO**

| SEC. | NO. PARTE | DESCRIPCIÓN | DESCRIPTION | CANT |
|------|-----------------|--|--------------------------------------|------|
| 26 | 2200128/RWYL61B | Defensa | Front guard | 1 |
| 27 | 2200416/RWYL61B | Protección antivuelco inferior izquierda | Fall prevention frame low left part | 1 |
| 28 | 2200417/RWYL61B | Protección antivuelco superior | Fall prevention frame upper part | 1 |
| 29 | 2200436/RWYL61B | Protección antivuelco inferior derecha | Fall prevention frame low right part | 1 |
| 30 | 2200501/RWYL61B | Tanque de agua | Water tank | 1 |
| 31 | 2200409/RWYL61B | Placa tanque de agua. | Water tank fixed plate | 1 |
| 32 | 3150408/RWYL61B | Asiento | Chair | 1 |
| 33 | 2200508/RWYL61B | Goma | Frame rubber | 4 |
| 34 | 2200407/RWYL61B | Placa soporte | Support frame transition plate | 1 |
| 35 | 2121015/RWYL61B | Bomba agua aspersores | Micro reciprocating pump | 1 |
| 36 | 2200210/RWYL61B | Palanca seguro transportación | Key plate | 1 |
| 37 | 2200401/RWYL61B | Chasis trasero | Rear frame welding assembly | 1 |

ENSAMBLE TANQUE DE AGUA



**ENSAMBLE TANQUE DE AGUA**

| SEC. | NO. PARTE | DESCRIPCIÓN | DESCRIPTION | CANT |
|------|-------------------|------------------------|-----------------------|------|
| 1 | 2200430/RWYL61B | Tapón drenado | Drain cap bolt | 1 |
| 2 | 2200432/RWYL61B | Junta de goma | Rubber washer | 2 |
| 3 | 2200429/RWYL61B | Tuerca de acoplamiento | Coupling nut | 1 |
| 4 | GJK020108/RWYL61B | Perno | Bamboo pin | 1 |
| 5 | 2200428/RWYL61B | Tapa drenado de agua | Water drain cap | 1 |
| 6 | 2200431/RWYL61B | Junta de goma tapa | Rubber gasket for cap | 1 |
| 7 | 2200507/RWYL61B | Filtro | Water strainer | 1 |
| 8 | 2200506B/RWYL61B | Medidor nivel de agua | Water level gauge | 1 |
| 9 | 0260702A/RWYL61B | Tapa tanque de agua | Water tank cap | 1 |
| 10 | 2200505/RWYL61B | Coladera | Strainer assembly | 1 |
| 11 | 2200501/RWYL61B | Tanque de agua | Water tank | 1 |

MPOWER

MANUAL DE PARTES

**RODILLO DOBLE HIDRÁULICO
RWYL61B**



Correo Electrónico:
contacto@equiconstructor.mx

Página web:
www.equiconstructor.com.mx

Teléfono:
01 (55) 2607 1637