

MPOWER

EQUI[®]
CONSTRUCTOR

Andamios, maquinaria y accesorios para cimbra



MANUAL DE PARTES RODILLO DOBLE FUERZA CENTRIFUGA RWYL51

Telefonos:
01(55)26071637
@Equiconstructor
contacto@equiconstructor.mx



CONSTRUCCIÓN

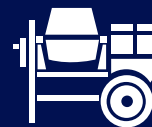
MPOWER



RODILLO DOBLE FUERZA CENTRIFUGA / RWYL51



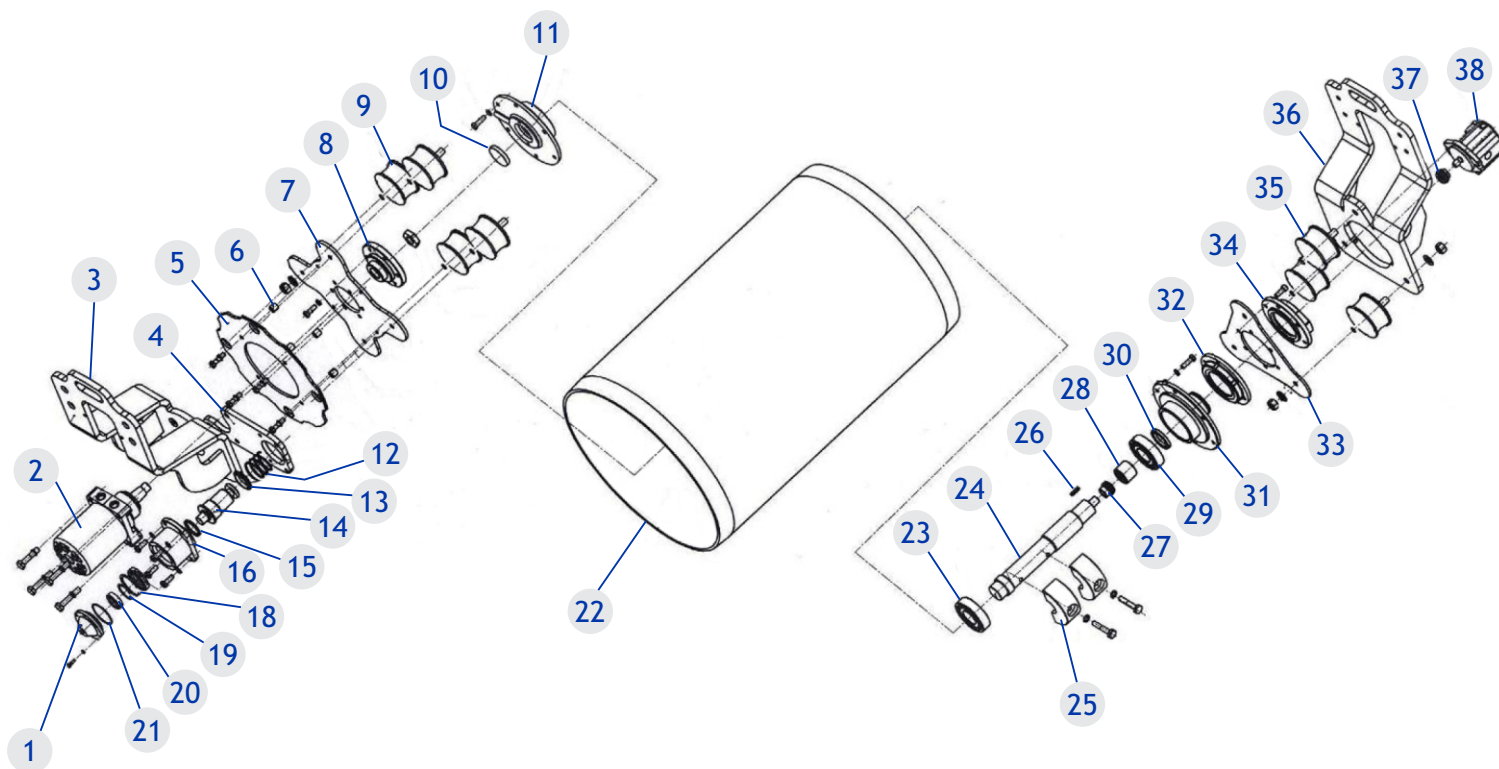
CONSTRUCCIÓN



RODILLO DOBLE FUERZA CENTRIFUGA RWYL51

E-1	FRONT-WHEEL ASSEMBLY.....	PAG 04
E-2	CONTROL PARTS.....	PAG 06
E-3	FUEL TANK ASSEMBLY AND OTHER ACCESSORY.....	PAG 08
E-4	WATER TANK ASSEMBLY.....	PAG 09
E-5	REAR FRAME ASSEMBLY	PAG 10
E-6	STEERING SYSTEM ASSEMBLY.....	PAG 12
E-7	FRONT FRAME ASSEMBLY	PAG 14
E-8	HYDRAULIC TUBE (1)	PAG 16
E-9	HYDRAULIC TUBE (2)	PAG 18
E-10	HYDRAULIC TUBE (3)	PAG 19
E-11	HYDRAULIC TUBE (4)	PAG 21

FRONT-WHEEL ASSEMBLY

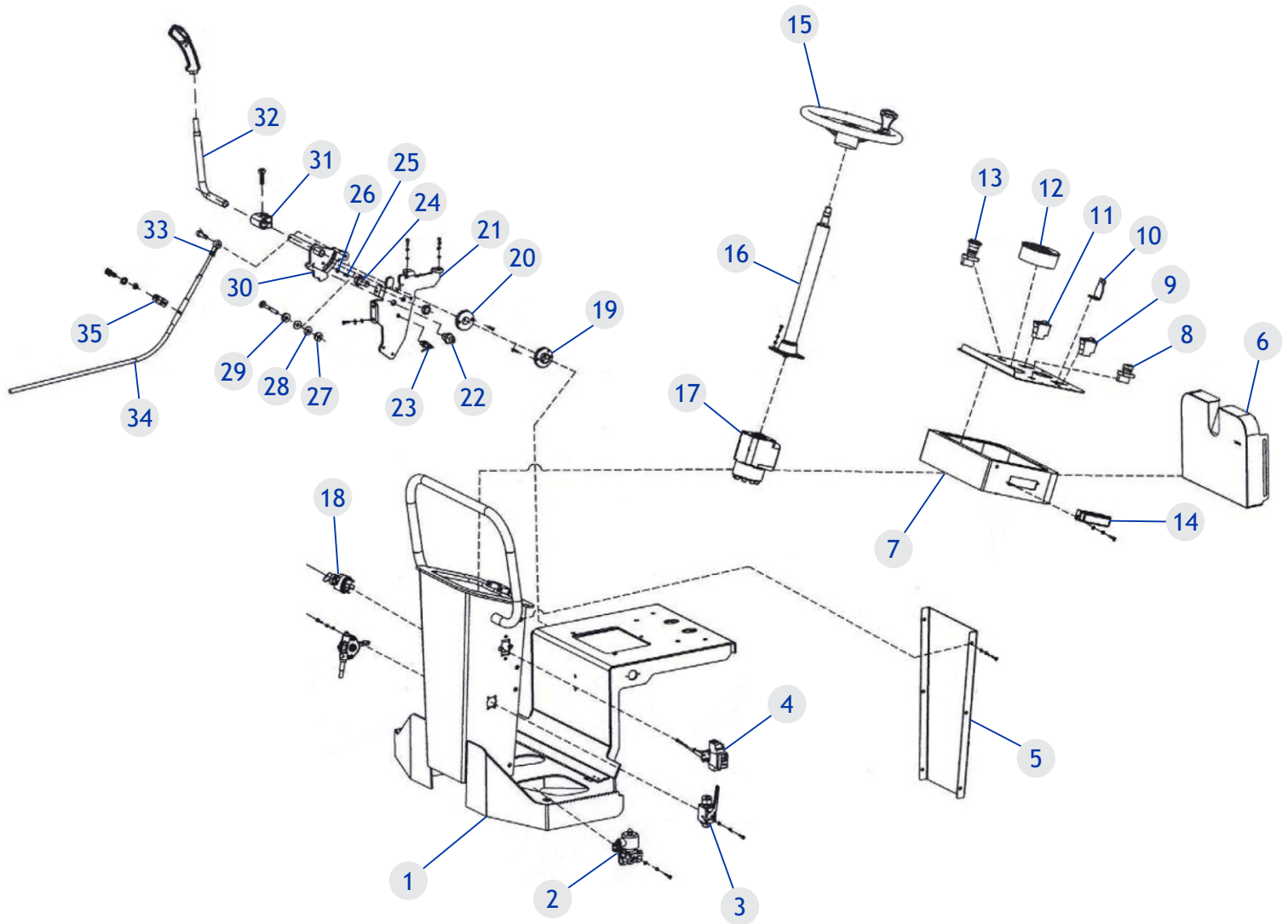
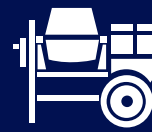


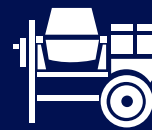
SEC.	NO. PARTE	DESCRIPCIÓN	CANTIDAD
1	2120404/RWYL51	Sealed cover plate	1
2	2121006A/RWYL51	Drive motor	1
3	2120516/RWYL51	Drive supporting	1
4	2120402A/RWYL51	Fixed plate of brake	1
5	2120401A/RWYL51	Brake disc	1
6	2120408/RWYL51	Cushion cover	4



FRONT-WHEEL ASSEMBLY

SEC.	NO. PARTE	DESCRIPCIÓN	CANTIDAD
7	2120409/RWYL51	Motor driving disc	1
8	2120515/RWYL51	Transmission sleeve	1
9	2120512/RWYL51	Shock absorber	4
10	2121027/RWYL51	Shaft cap	1
11	2120505/RWYL51	Bearing end cover	1
12	2120407/RWYL51	Spring	1
13	2120406/RWYL51	Spacer sleeve	1
14	2120405/RWYL51	Pin roll	1
15	2121035/RWYL51	Dustband HW13	1
16	2120403/RWYL51	Brake shell	1
17	NZK010509/RWYL51	Bearing 61909	1
18	DQK020118/RWYL51	Circlip for hole	1
19	DQK020113/RWYL51	Circlip for hole	1
20	NZK010105/RWYL51	Bearing6005	1
21	MFK020223/RWYL51	O-ring	1
22	2120504/RWYL51	Roller	1
23	WZK050109/RWYL51	Bearing	1
24	2120506/RWYL51	Vibrating shaft	1
25	2120143/RWYL51	Eccentric block	2
26	2150116/RWYL51	Key	1
27	2150129/RWYL51	Coupling for vibration shaft	1
28	2150127/RWYL51	Nylon sleeve	1
29	WZK050109/RWYL51	Bearing	1
30	MFK011001/RWYL51	Framework oil seal	1
31	2120507/RWYL51	Bearing fixed support	1
32	2120509/RWYL51	Drive bearing support	1
33	2120508/RWYL51	Driving disc	1
34	2120510/RWYL51	Vibration motor fixed support	1
35	2120512/RWYL51	Shock absorber	3
36	2120513/RWYL51	Vibration supporting seat	1
37	2150128/RWYL51	Motor coupling	1
38	2121005/RWYL51	Vibration motor	1

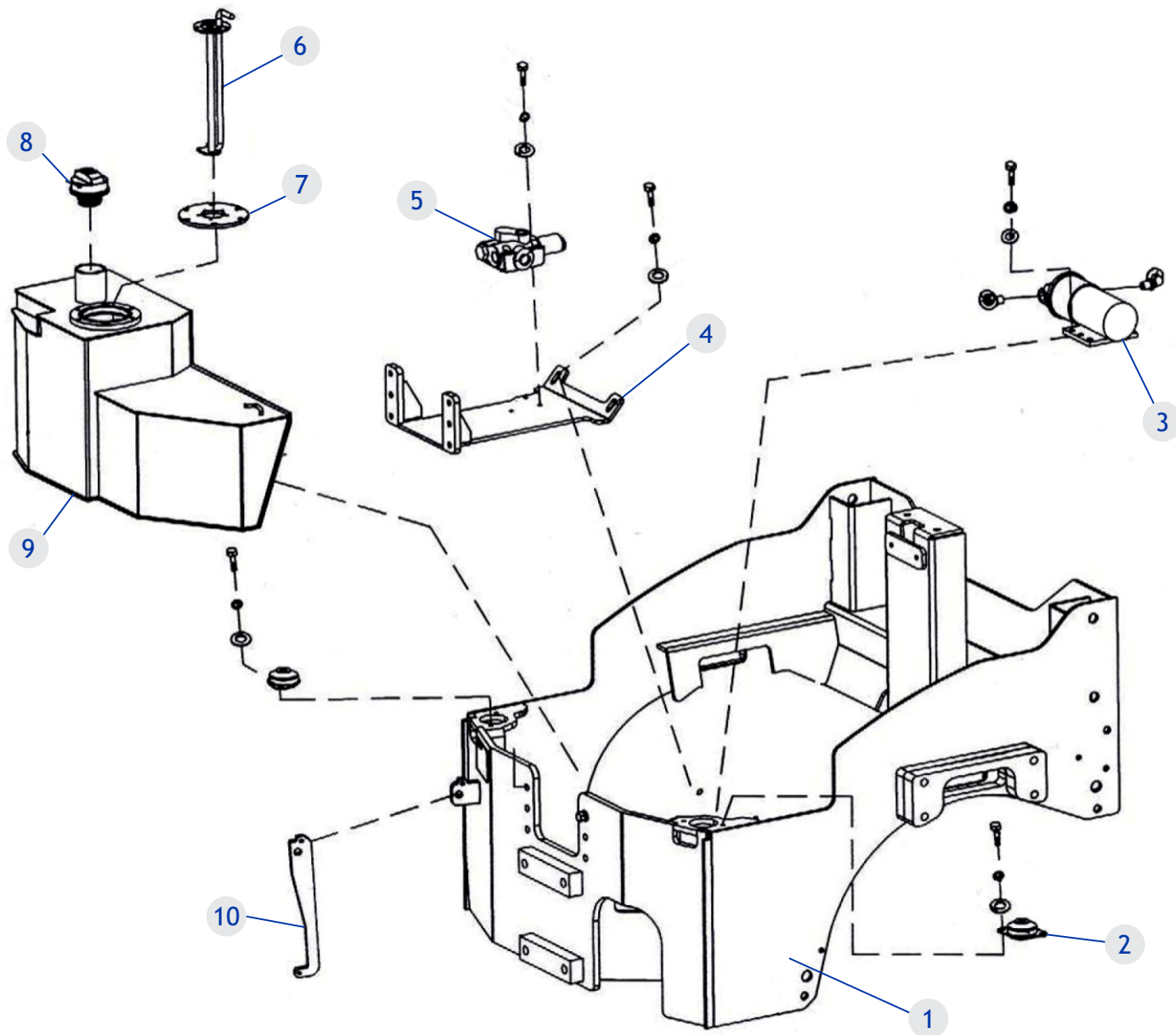




CONTROL PARTS

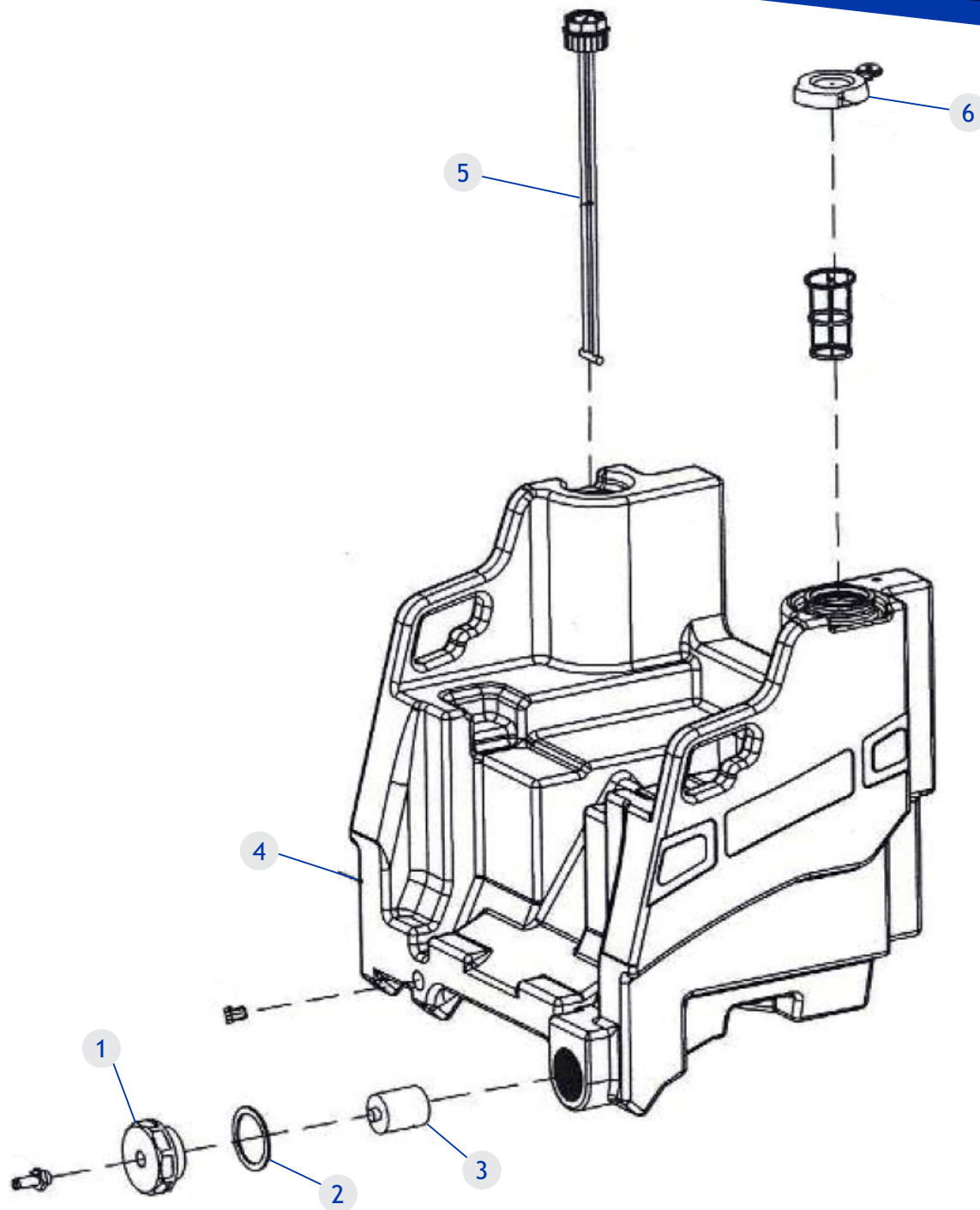
SEC.	NO. PARTE	DESCRIPCIÓN	CANTIDAD
1	2120202/RWYL51	Upper support frame assemble	1
2	2121029/RWYL51	Electromagnetic valve	1
3	2200504/RWYL51	High pressure ball valve	1
4	DJD030603/RWYL51	Time relay	1
5	2120206/RWYL51	Cover plate of steering	1
6	2120246/RWYL51	Rain cover	1
7	2120241/RWYL51	Instrument mounting	1
8	DAN010213/RWYL51	Button switch	1
9	2121022/RWYL51	Lamp switch	1
10	2120245/RWYL51	Lock nose	1
11	2121030/RWYL51	Water switch	
12	2121011A/RWYL51	Combination instrument	
13	DAN020203/RWYL51	Emergency button Φ 22	
14	2121032/RWYL51	Fuse holder	
15	2121026-1/RWYL51	Steering wheel	
16	2121018/RWYL51	Steering column	
17	2121064/RWYL51	Hydraulic steering gear	1
18	2202032/RWYL51	Start key	1
19	2200412/RWYL51	Handle screw sleeve	1
20	2200412/RWYL51	Handle screw sleeve	1
21	2120205B/RWYL51	Reversing plate	1
22	2121045/RWYL51	Reverse switch	1
23	2121044/RWYL51	Proximity switch	1
24	3070222/RWYL51	Location pilot pin	1
25	3070208/RWYL51	Limit spring	1
26	0260909/RWYL51	Steel ball	1
27	2120209/RWYL51	Spacer sleeve	1
28	DZK030107/RWYL51	Butterfly washer	2
29	2120209/RWYL51	Spacer sleeve	1
30	2120219/RWYL51	Reversing rod assembly	1
31	2120218/RWYL51	Handle assembly	1
32	2120211/RWYL51	Reversing rod assembly	1
33	NZK120102/RWYL51	Inside thread rod ends bearing	1
34	2120225/RWYL51	Direction control cable assembly	1
35	3070206/RWYL51	Fixed support of direction control cable	1

FUEL TANK ASSEMBLY AND OTHER ACCESSORY



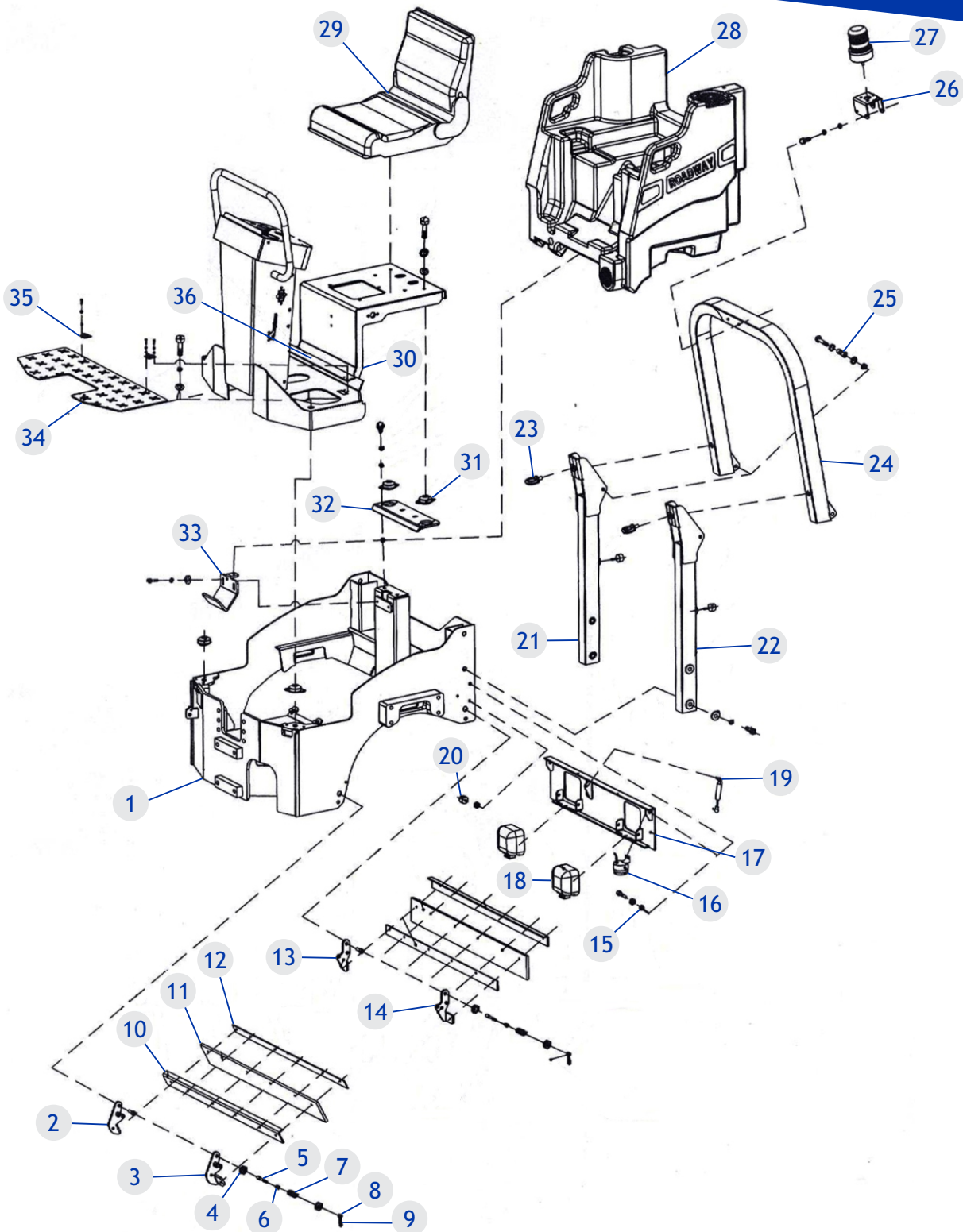
SEC.	NO. PARTE	DESCRIPCIÓN	CANTIDAD
1	2120201/RWYL51	Rear frame assembly	1
2	2200508/RWYL51	Shock absorber of machine frame	4
3	2121015/RWYL51	Miniature reciprocating pump	1
4	2120204/RWYL51	Connect frame assembly	1
5	2121008/RWYL51	Stable single way diverter valve	1
6	2121004/RWYL51	Oil level sensor	1
7	2120221/RWYL51	Sealing cover plate	1
8	1672254A/RWYL51	Oil tank cap	1
9	2120212/RWYL51	Fuel tank	1
10	2120220/RWYL51	Anti-rotation plate	1

WATER TANK ASSEMBLY



SEC.	NO. PARTE	DESCRIPCIÓN	CANTIDAD
1	2200428A/RWYL51	Drain cover of water tank	1
2	2202042/RWYL51	O-ring	1
3	2200507/RWYL51	Water filter	1
4	2120249/RWYL51	Water tank	1
5	2121001/RWYL51	Water level meter	1
6	0260702A/RWYL51	Water tank cap	1

REAR FRAME ASSEMBLY



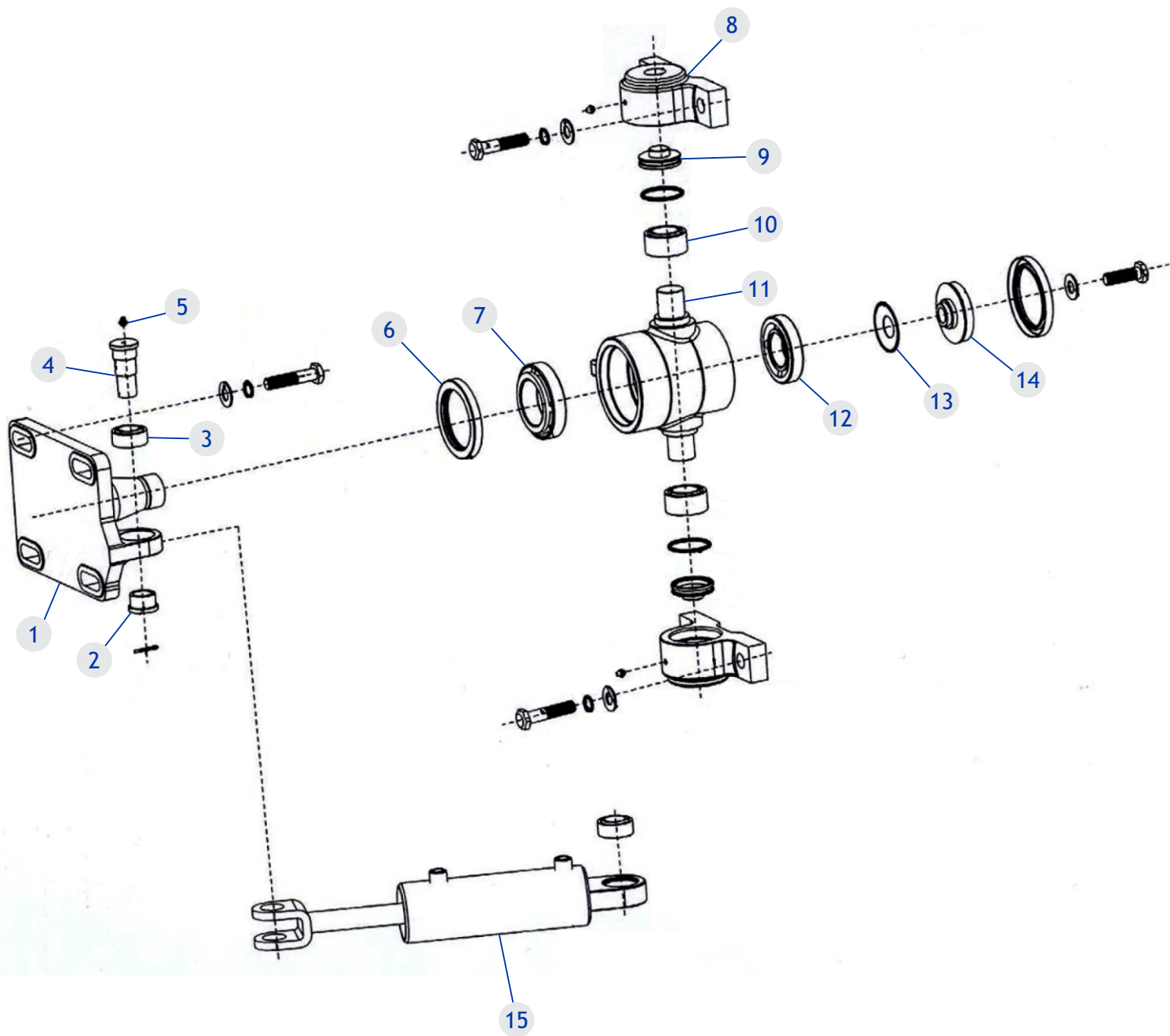
SEC.	NO. PARTE	DESCRIPCIÓN	CANTIDAD
1	2120201/RWYL51	Rear machine frame welding assembly	1
2	2120108/RWYL51	Mounting plate at low right direction	1
3	2120107/RWYL51	Mounting plate at low left direction	1
4	LMK020202/RWYL51	Hexagon thin nut	2

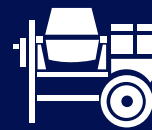


REAR FRAME ASSEMBLY

SEC.	NO. PARTE	DESCRIPCIÓN	CANTIDAD
5	2200424A/RWYL51	Stop pin	1
6	2200445/RWYL51	Return spring	1
7	2200423/RWYL51	Stop pin support	1
8	2200432/RWYL51	Handle assembly	1
9	XZK010601/RWYL51	Elastic cylindrical pin	1
10	2120109/RWYL51	Scraping fender fixing plate	1
11	2120520/RWYL51	Scraper fender	1
12	2120523/RWYL51	Pressure plate of scraper fender	1
13	2120105/RWYL51	Mounting plate at right front direction	1
14	2120106/RWYL51	Mounting plate at left front direction	1
15	2202011/RWYL51	Nylon push	1
16	2121046/RWYL51	Reverse buzzer	1
17	2120103/RWYL51	Front damper	1
18	2121019/RWYL51	Working light	2
19	2202014/RWYL51	Gas spring	1
20	2120136/RWYL51	Shield shock absorption	1
21	2120213/RWYL51	Low right fall prevention frame assembly	1
22	2120214/RWYL51	Low left fall prevention frame assembly	1
23	2200510/RWYL51	Eyebolt	2
24	2120217A/RWYL51	Up section fall prevention frame assembly	1
25	2120215/RWYL51	Cushion cover	2
26	2120801/RWYL51	Alarm fixing plate	1
27	1532218/RWYL51	Alarm light	1
28	2120249/RWYL51	Plastic water tank	1
29	3140412/RWYL51	Seat	1
30	2120202/RWYL51	Up support frame assembly	1
31	2200508/RWYL51	Chasis shock absorption	4
32	2120207/RWYL51	Transition plate	4
33	2200409/RWYL51	Water tank fixing plate	1
34	2120203/RWYL51	Pedal plate	1
35	1672222/RWYL51	Stainless steel hinge	2
36	2120208/RWYL51	Decorative plate	1

STEERING SYSTEM ASSEMBLY

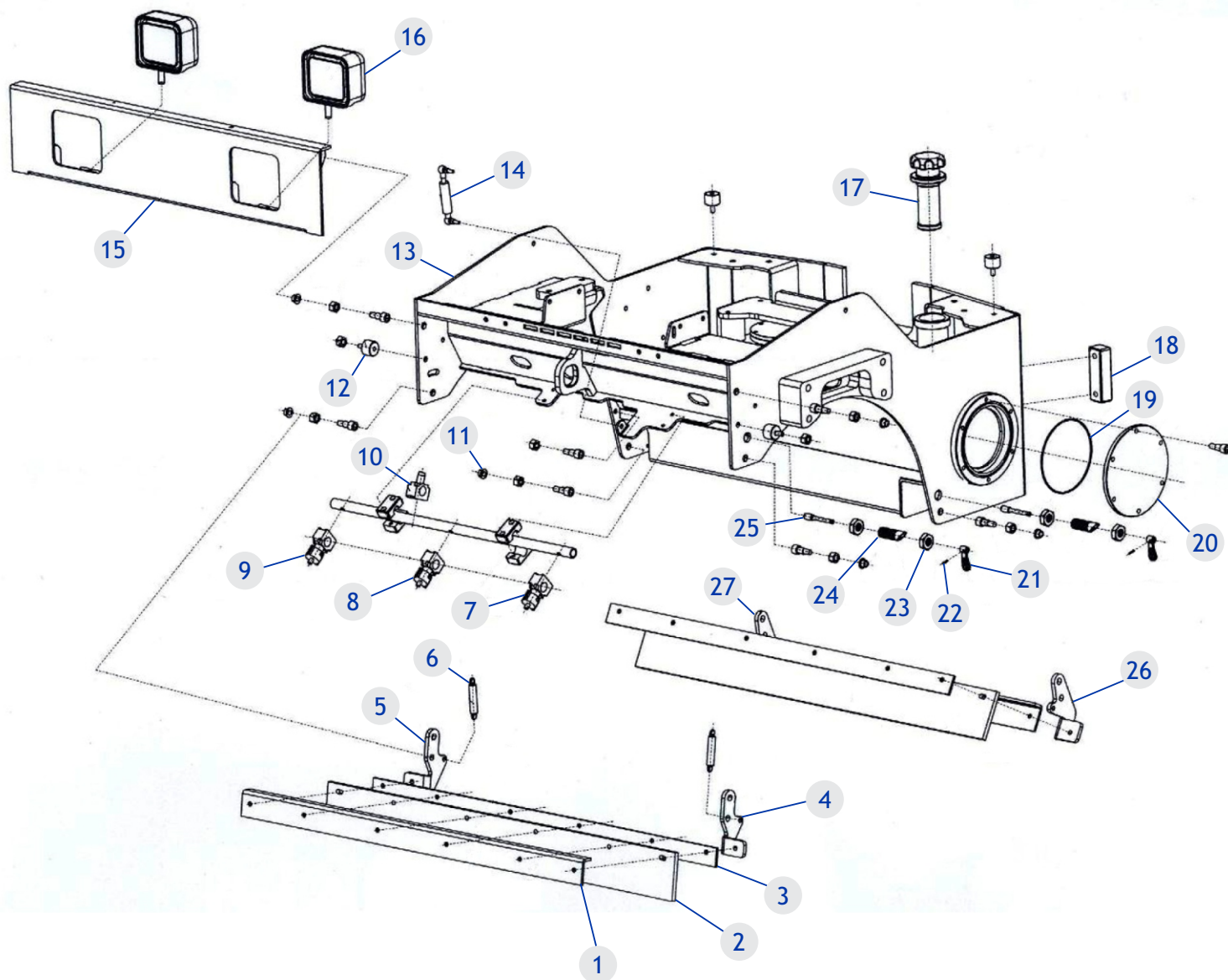


**STEERING SYSTEM ASSEMBLY**

SEC.	NO. PARTE	DESCRIPCIÓN	CANTIDAD
1	2120302/RWYL51	Steering support	1
2	2120305/RWYL51	Steering bushing	1
3	NZK110425/RWYL51	Knuckle bearing	2
4	2120304/RWYL51	Cylinder fixed axis	1
5	0040302/RWYL51	Nozzle	3
6	MFK011501/RWYL51	Oil seal	2
7	NZK070193/RWYL51	Bearing	1
8	2120312/RWYL51	Bearing support	2
9	2120313/RWYL51	End cap	2
10	NZK110331/RWYL51	Centripetal knuckle bearing	2
11	2120301/RWYL51	Steering bearing seat	1
12	NZK070308/RWYL51	Bearing	1
13	2121002/RWYL51	Belleville spring	1
14	2120303/RWYL51	Belleville spring pressing plate	1
15	2120314/RWYL51	Steering cylinder	1



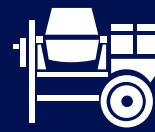
FRONT FRAME ASSEMBLY



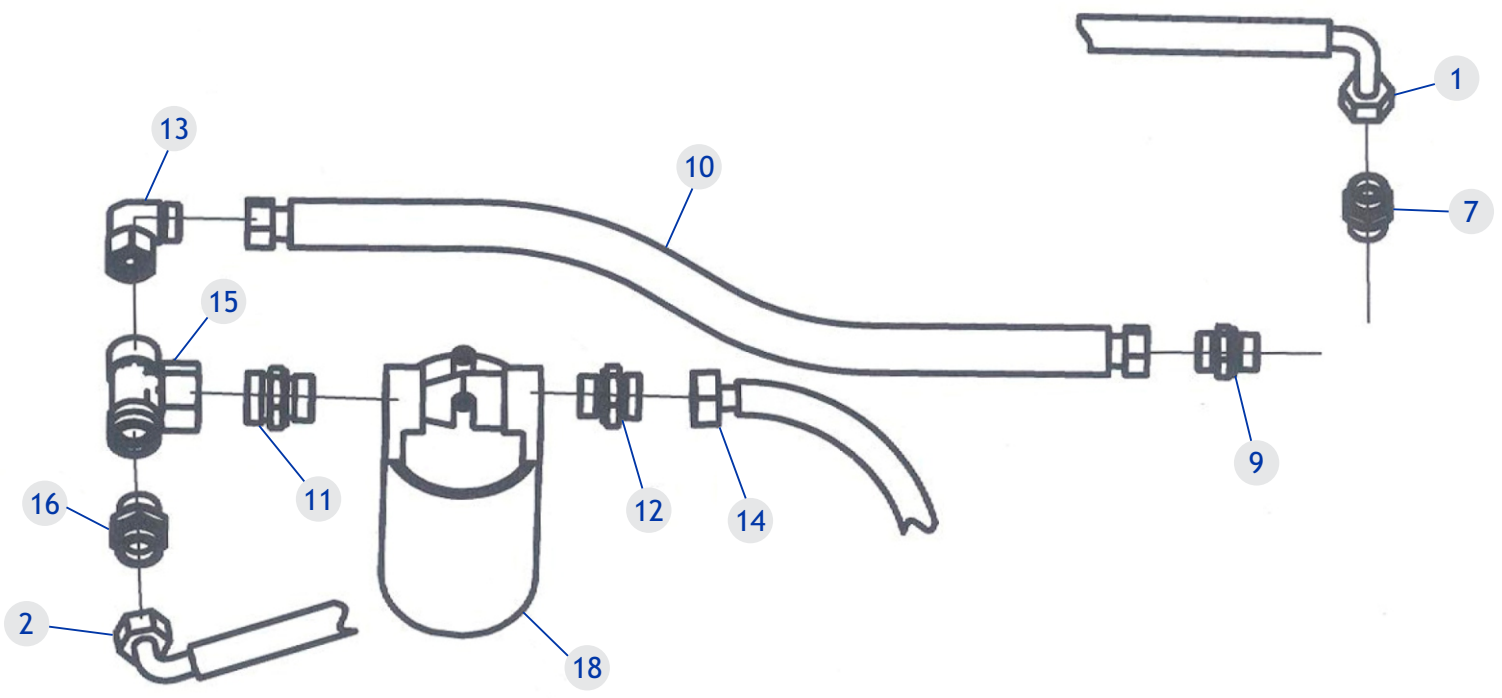
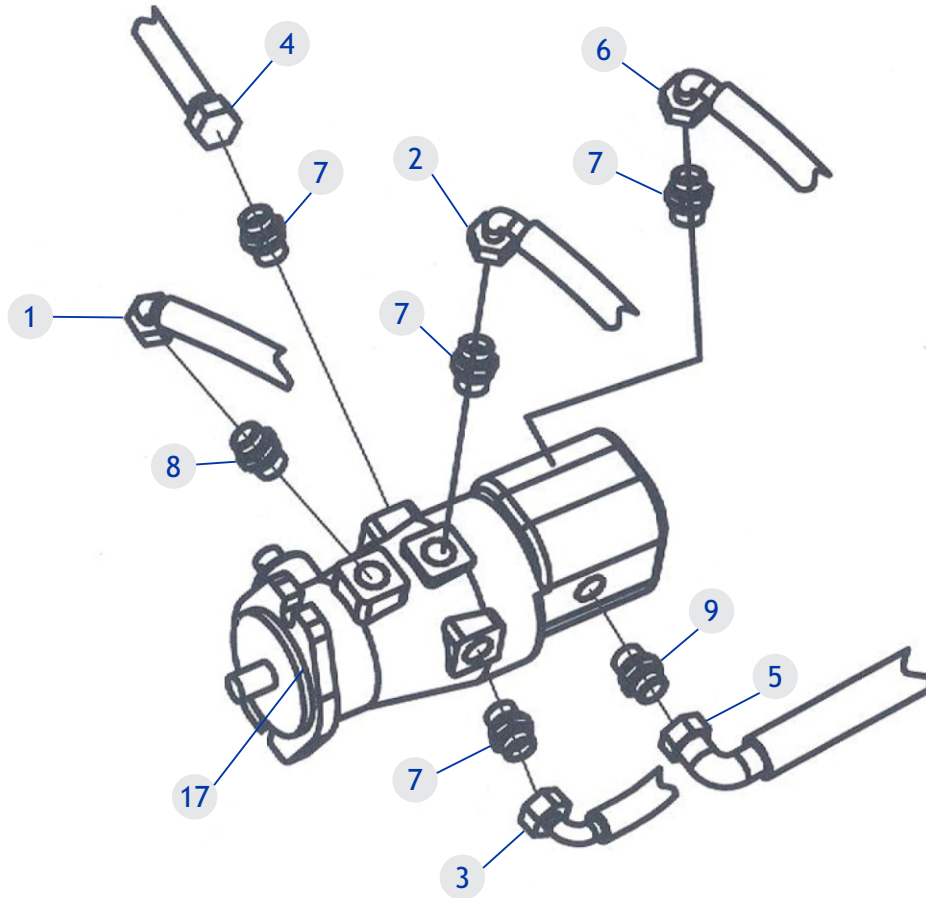


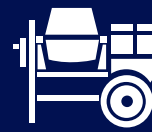
FRONT FRAME ASSEMBLY

SEC.	NO. PARTE	DESCRIPCIÓN	CANTIDAD
1	2120109/RWYL51	Scraping fender fixing plate	1
2	2120520/RWYL51	Scraping plate	1
3	2120523/RWYL51	Scraping pressing plate	1
4	2120105/RWYL51	Mounting plate at right front direction	1
5	2120106/RWYL51	Mounting plate at left front direction	1
6	2120521/RWYL51	Extension spring	2
7	2121016/RWYL51	Shower nozzle	3
8	2120158/RWYL51	Pipe clamp	4
9	2120114/RWYL51	Spray pipe	1
10	2121017/RWYL51	Joint	1
11	2202011/RWYL51	Nylon bush	1
12	2120136/RWYL51	Shield shock absorber	1
13	2120101/RWYL51	Front frame	1
14	2202014/RWYL51	Gas gasoline	1
15	2120103/RWYL51	Front damper	1
16	2121019/RWYL51	Working light	2
17	2121010/RWYL51	Air cleaner	1
18	2121033/RWYL51	Liquid indicator	1
19	MFK020139/RWYL51	O-rings	1
20	2120113/RWYL51	Clean out pore plate	1
21	2200432/RWYL51	Lifting handle assembly	1
22	XZK010601/RWYL51	Elastic cylindrical pin	1
23	LMK020202/RWYL51	Hexagon thin nut	2
24	2200423/RWYL51	Stop pin support	1
25	2200424A/RWYL51	Stop pin	1
26	2120107/RWYL51	Mounting plate at left lower direction	1
27	2120108/RWYL51	Mounting plate at right lower direction	1



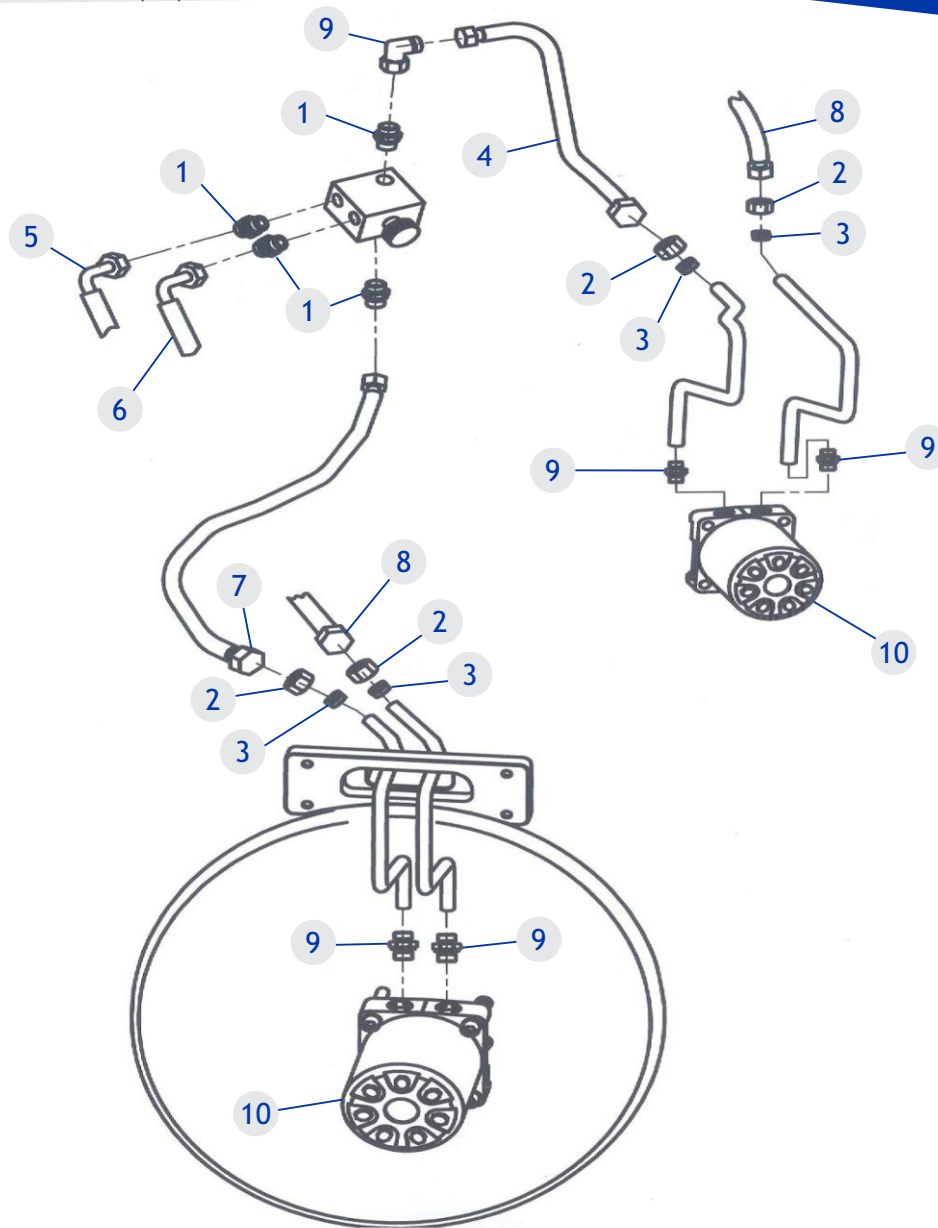
HYDRAULIC TUBE (1)



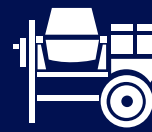
**HYDRAULIC TUBE (1)**

SEC.	NO. PARTE	DESCRIPCIÓN	CANTIDAD
1	2151001/RWYL51	Rubber tube assembly	1
2	2122001/RWYL51	Rubber tube assembly	1
3	2151002/RWYL51	Rubber tube assembly	1
4	2151002/RWYL51	Rubber tube assembly	1
5	2151003/RWYL51	Rubber tube assembly	1
6	2151017/RWYL51	Rubber tube assembly	1
7	2122033/RWYL51	Connector	5
8	2122029/RWYL51	Connector	1
9	2122034/RWYL51	Connector	2
10	2151007/RWYL51	Rubber tube assembly	1
11	2122034/RWYL51	Connector	1
12	2122048/RWYL51	Connector	1
13	2122035/RWYL51	Connector	1
14	2151013/RWYL51	Rubber tube assembly	1
15	2122030/RWYL51	Connector	1
16	2122032/RWYL51	Connector	1
17	2121003/RWYL51	Hydraulic pump assembly	1
18	2121007/RWYL51	Return oil filter	1

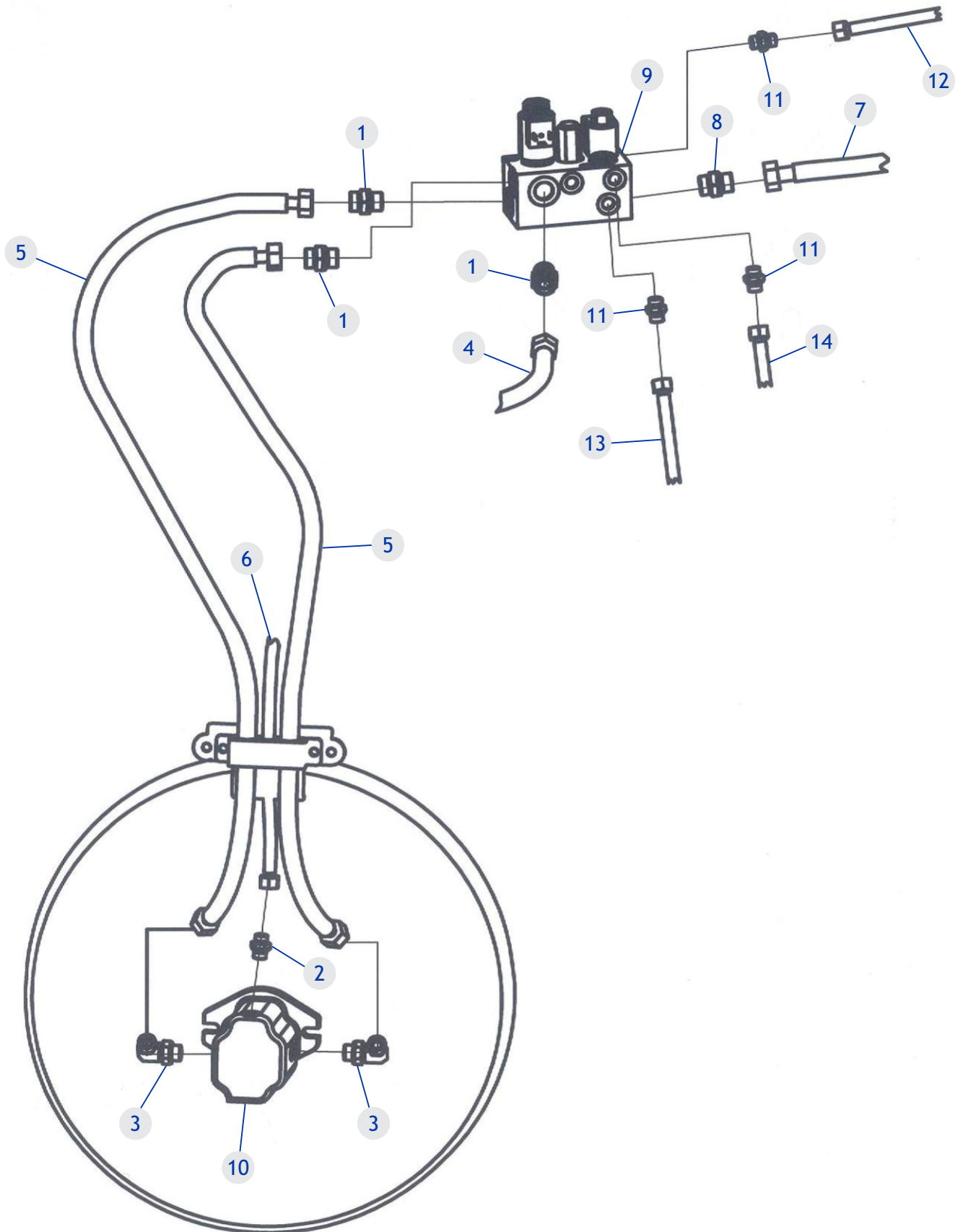
HYDRAULIC TUBE (2)

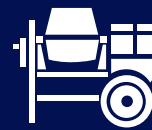


SEC.	NO. PARTE	DESCRIPCIÓN	CANTIDAD
1	2122033/RWYL51	Connector	4
2	2122037/RWYL51	Net	4
3	2122038/RWYL51	Cutting sleeve	4
4	2122006/RWYL51	Rubber tube assembly	1
5	2151002/RWYL51	Rubber tube assembly	1
6	2151002/RWYL51	Rubber tube assembly	1
7	2151017/RWYL51	Rubber tube assembly	1
8	2151005/RWYL51	Rubber tube assembly	1
9	2122036/RWYL51	Connector	4
10	2121006A/RWYL51	Driving motor	2



HYDRAULIC TUBE (3)

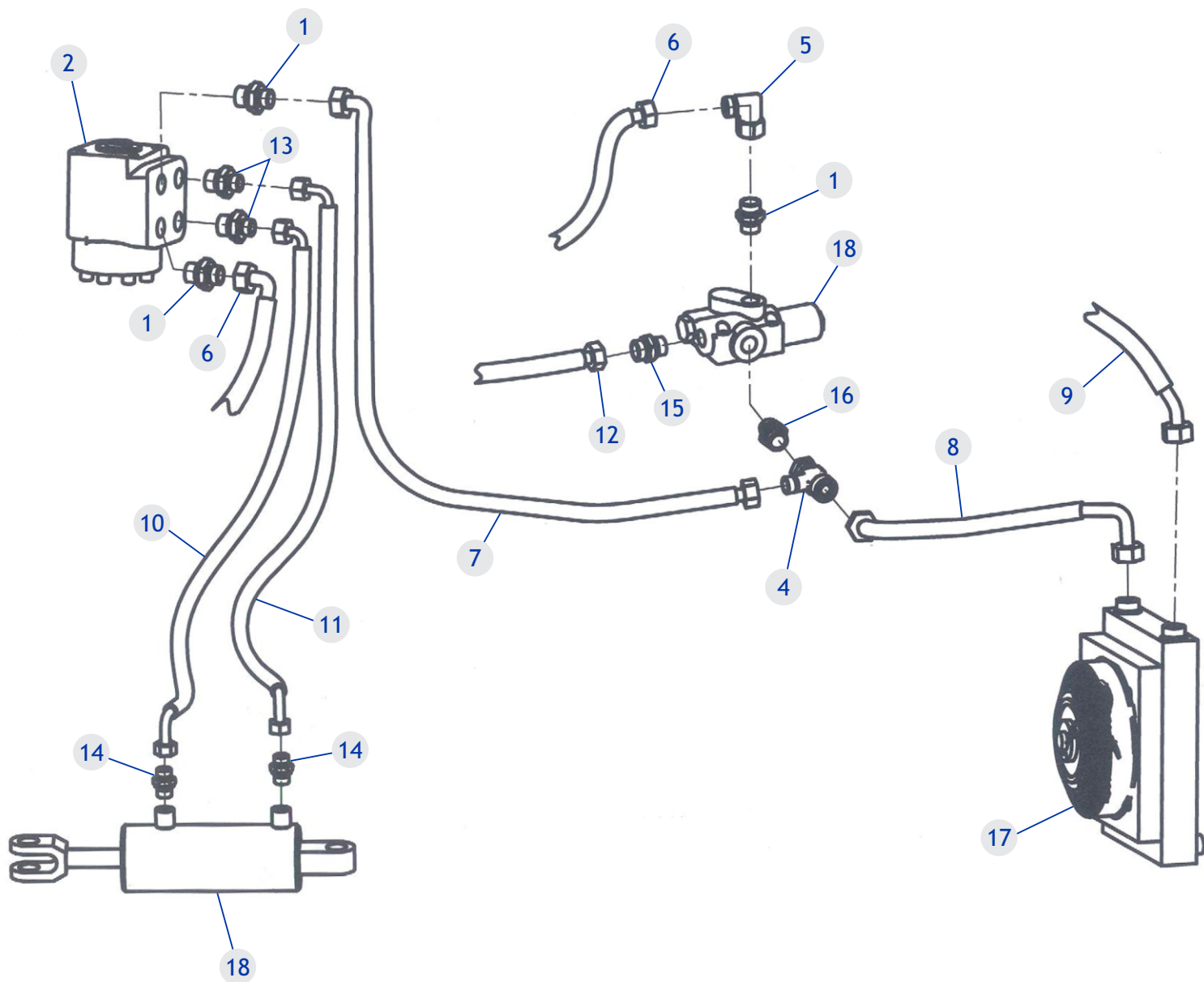


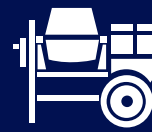
**HYDRAULIC TUBE (3)**

SEC.	NO. PARTE	DESCRIPCIÓN	CANTIDAD
1	2122033/RWYL51	Connector	3
2	2201073/RWYL51	Connector	1
3	2122013/RWYL51	Connector	2
4	2151004B/RWYL51	Rubber tube assembly	1
5	2122007/RWYL51	Rubber tube assembly	2
6	2151006/RWYL51	Rubber tube assembly	1
7	2151008/RWYL51	Rubber tube assembly	1
8	2122041/RWYL51	Connector	1
9	2121041C/RWYL51	Vibration valve set	1
10	2121005/RWYL51	Gear motor	1
11	2122058/RWYL51	Connector	3
12	2122023A/RWYL51	Rubber tube assembly	1
13	2151015/RWYL51	Rubber tube assembly	1
14	2151016/RWYL51	Rubber tube assembly	1



HYDRAULIC TUBE (4)



**HYDRAULIC TUBE (4)**

SEC.	NO. PARTE	DESCRIPCIÓN	CANTIDAD
1	2122044/RWYL51	Connector	3
2	2121064/RWYL51	Redirector	1
3	2121008/RWYL51	Shunt	1
4	2151011/RWYL51	Connector	1
5	2122043/RWYL51	Connector	1
6	2122056A/RWYL51	Rubber tube assembly	1
7	2151009A/RWYL51	Rubber tube assembly	1
8	2151012/RWYL51	Rubber tube assembly	1
9	2151013/RWYL51	Rubber tube assembly	1
10	2122011B/RWYL51	Rubber tube assembly	1
11	2122011B/RWYL51	Rubber tube assembly	1
12	2151008/RWYL51	Rubber tube assembly	1
13	2122049/RWYL51	Connector	2
14	2122050/RWYL51	Connector	2
15	2122042/RWYL51	Connector	1
16	2122046/RWYL51	Connector	1
17	2150101/RWYL51	Radiator	1
18	2120314/RWYL51	Steering cylinder	1

MPOWER

MANUAL DE PARTES

RODILLO DOBLE FUERZA CENTRIFUGA
RWYL51



EQUI[®]
CONSTRUCTOR
Andamios maquinaria y accesorios para cimbras

Telefono:
01(55)26071637
@Equiconstructor
contacto@equiconstructor.mx

